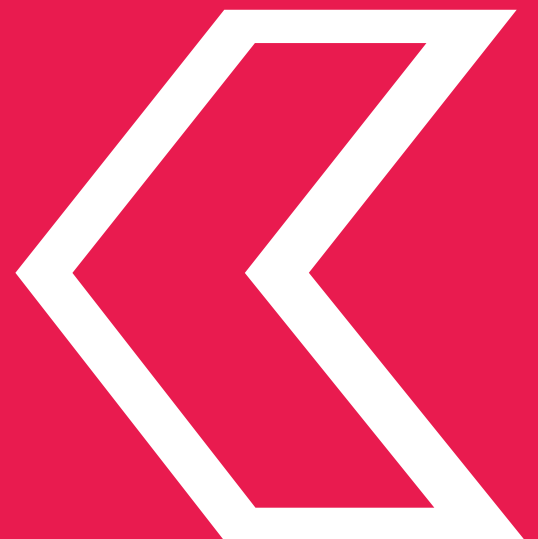
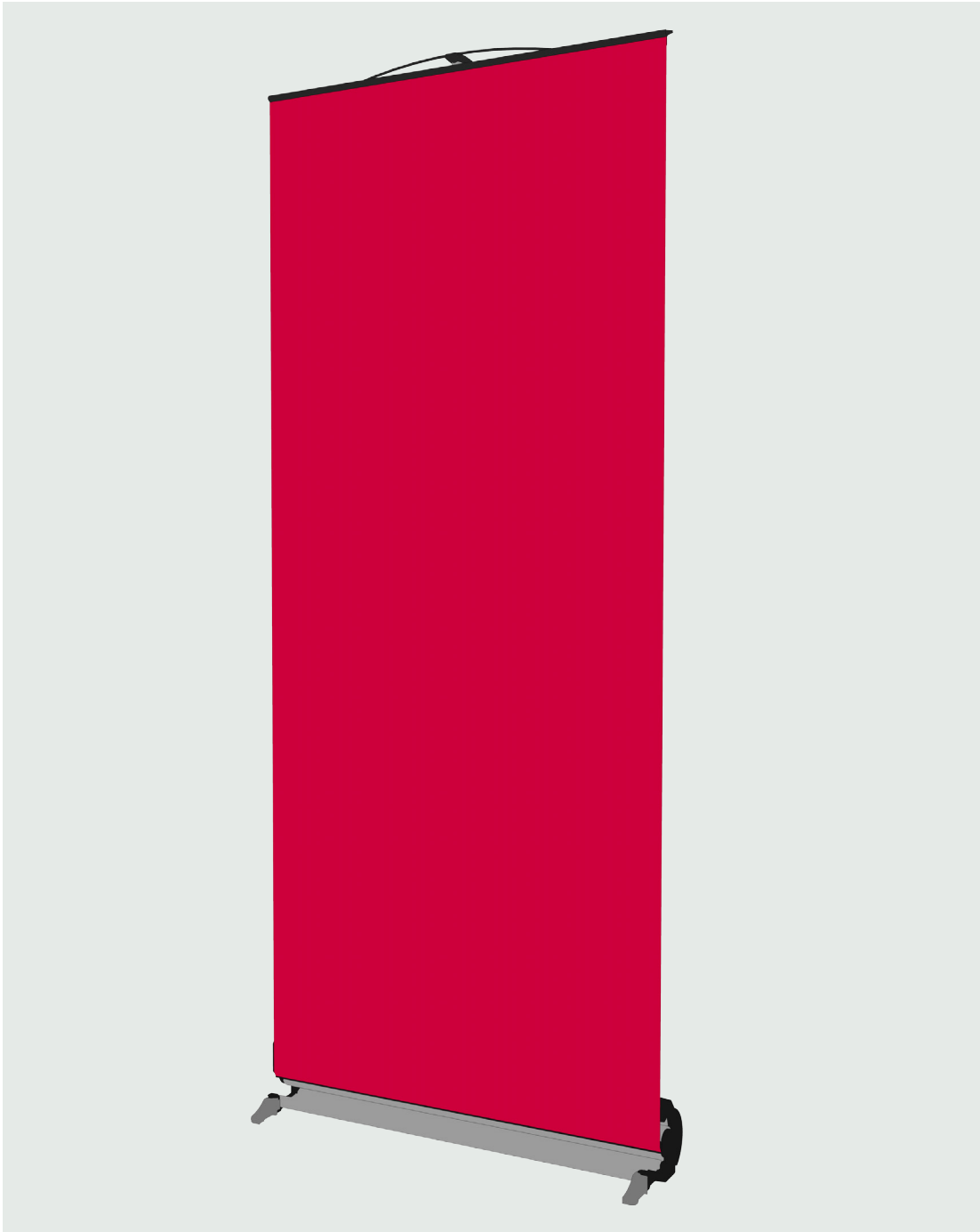


LINK²
ROLLER
BANNER
product set up instructions

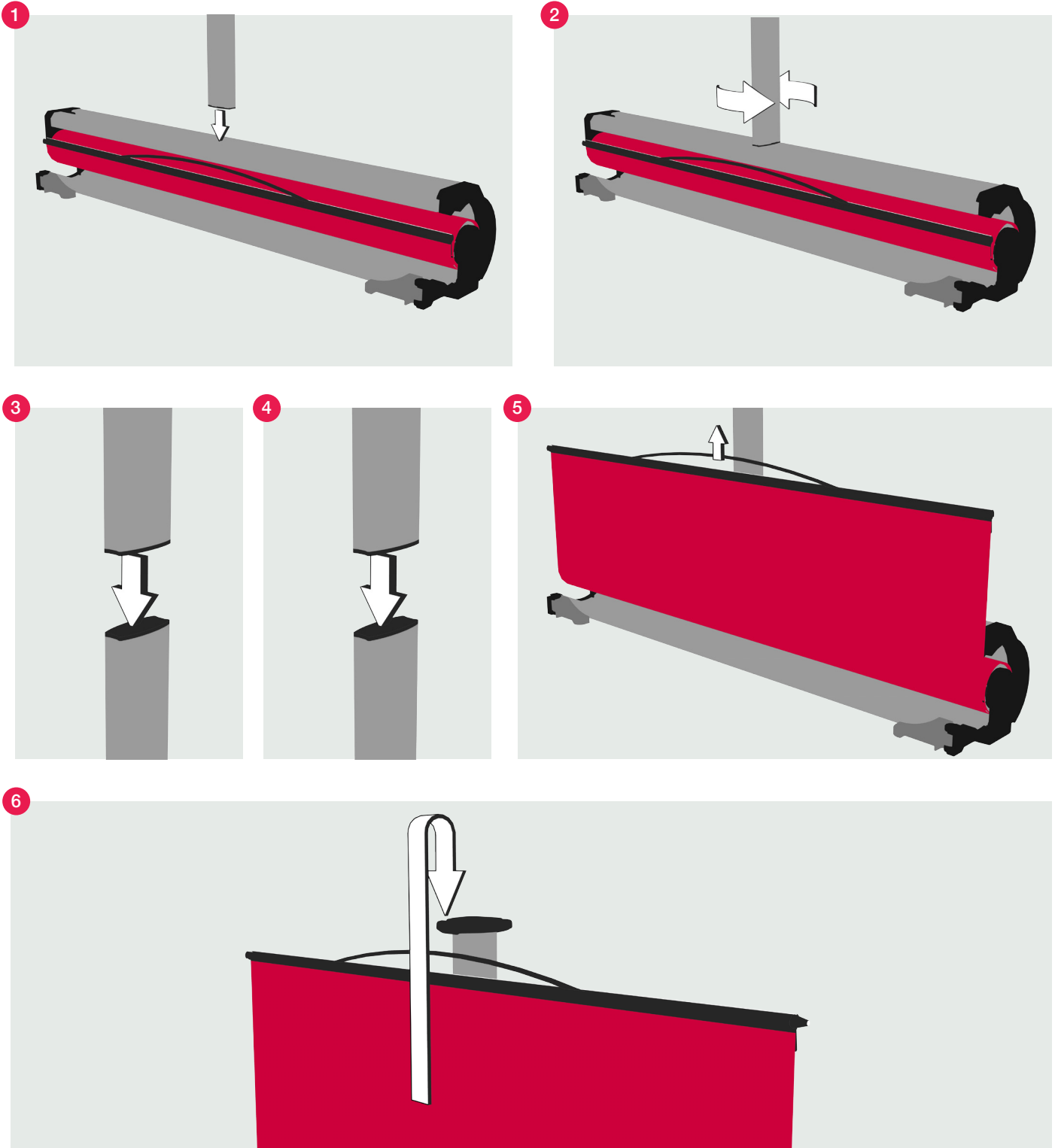


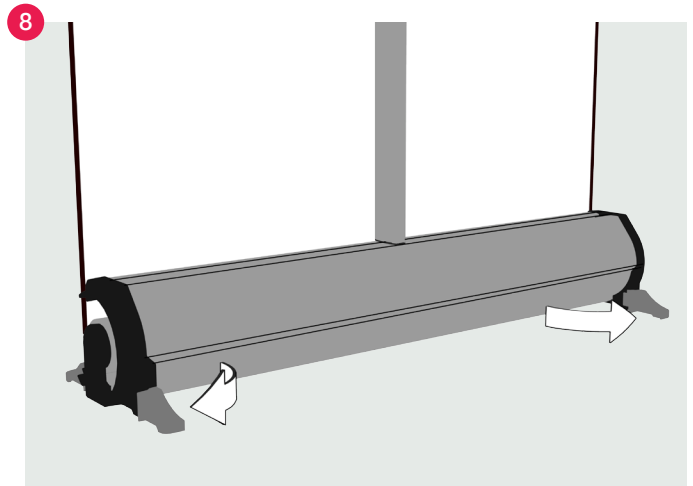
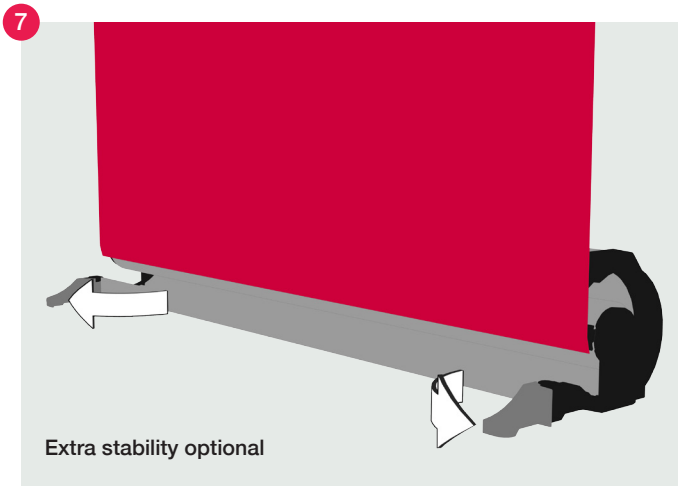


Link² Setup Instructions

Items

1x base with integrated graphic panel; 1x bottom upright section; 1x middle upright section (red ends);
1x top upright section

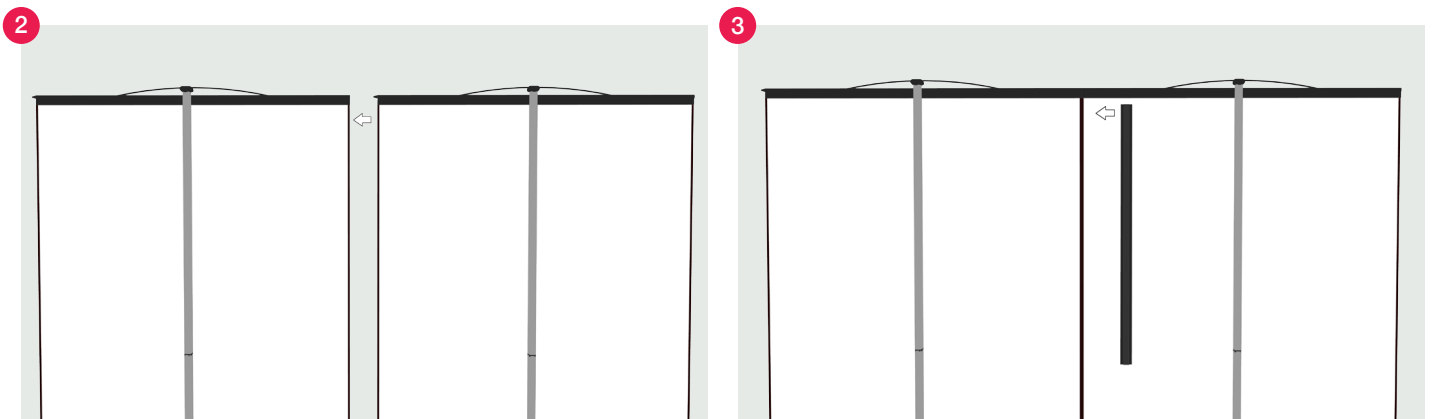
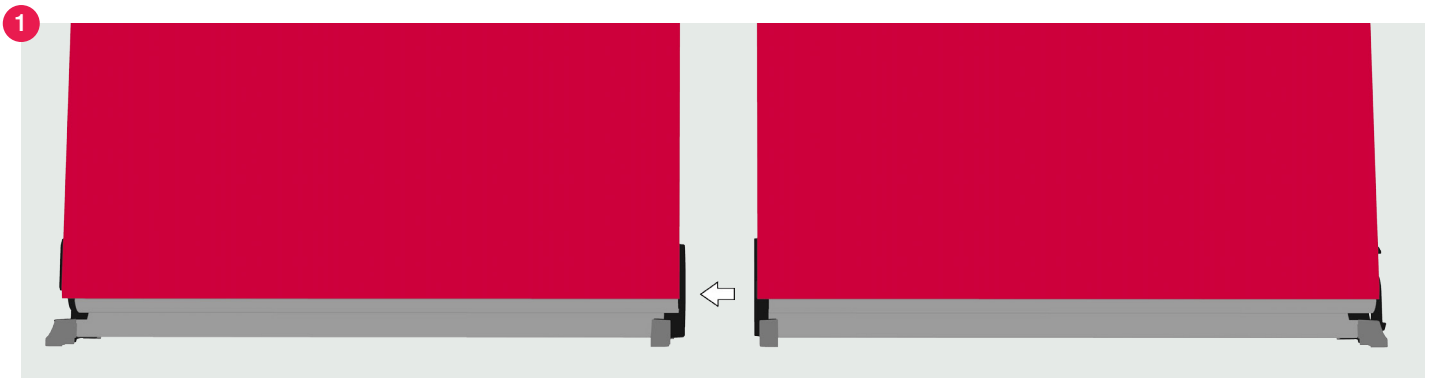


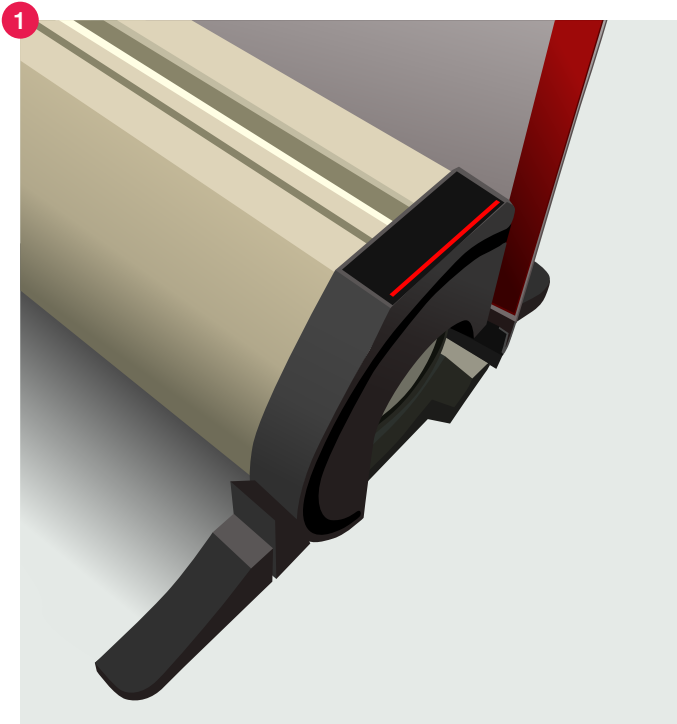


How To Link Together

Items

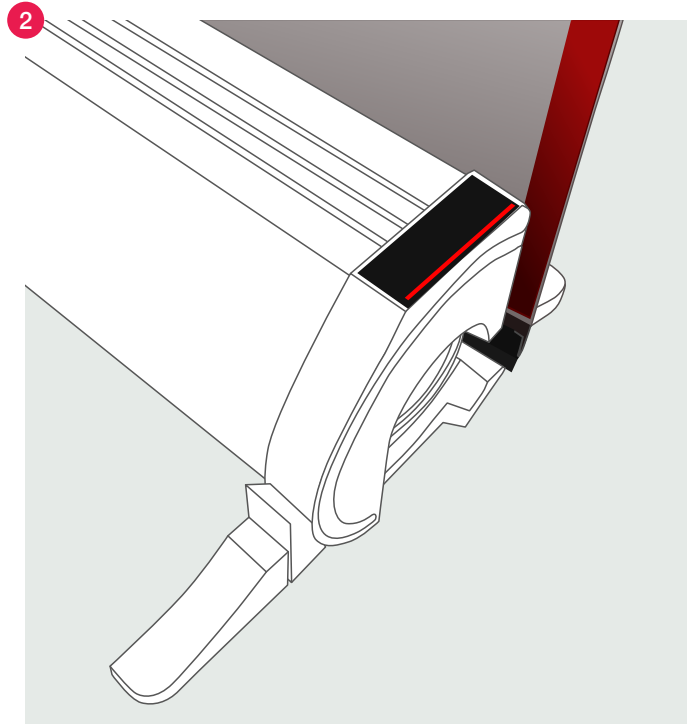
1x Easi-link Kit (available separately)



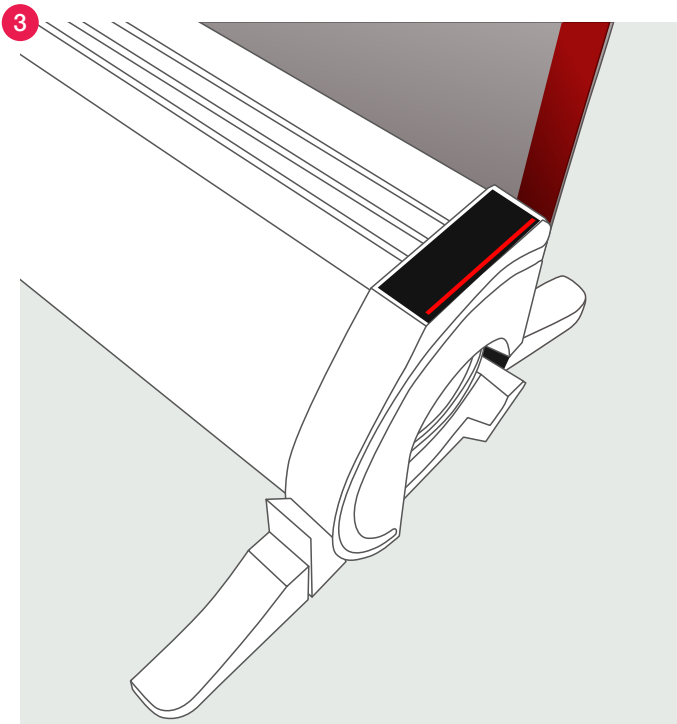


Warning

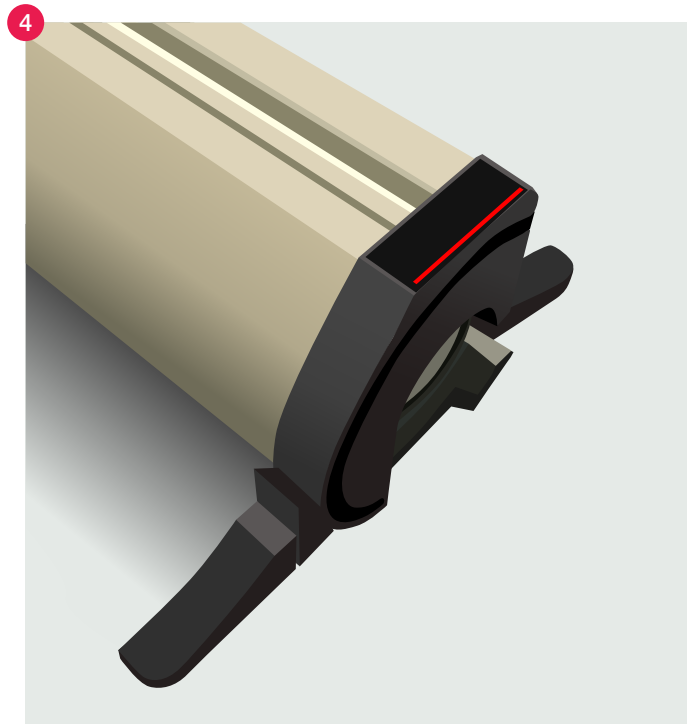
If the graphic does not retract in to the base



Simply slide the graphic to align with the red line



Once the graphic is realigned with the base



The graphic will slide back into place correctly.