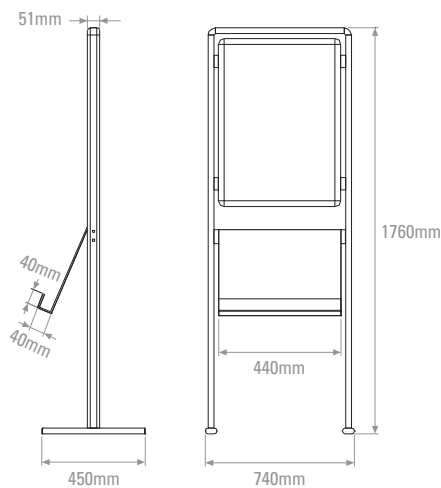




Double-sided Info Board with Acrylic Brochure Shelves



Info Board

- A1 poster display, single or double-sided
- Front-opening **aluminium snapframes** for quick and easy poster change (silver anodised finish)
- Anti-glare **PET poster covers**
- Illuminated option also available (see page 75)
- Optional acrylic brochure shelves, available separately (see below)



In stock



10 minutes to assemble



Recyclable

Aluminium snapframes, aluminium stand and PET poster covers

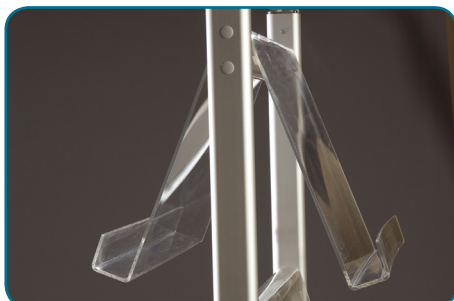


Optional wheels (made to order)



Anti-glare poster covers

Specification				
Poster Size	O/A Dimensions (w × h × d mm)	Sides	Weight (kg)	Order Code
A1	740 × 1760 × 450	Single	8.8	INFOSGA1
		Double	11.1	INFODSA1



Acrylic Brochure Shelves for Info Board

- Made with crystal clear **4mm acrylic**
- Single or double-sided, for 2 or 4 × A4 brochures respectively



In stock



Recyclable
Acrylic shelves

Specification				
Shelf Type	Capacity	Dimensions (w × d mm)	Weight (kg)	Order Code
Single-sided	2 × A4	440 × 40	1	INFOSHLFSG
Double-sided	4 × A4	440 × 40	2	INFOSHLFDS