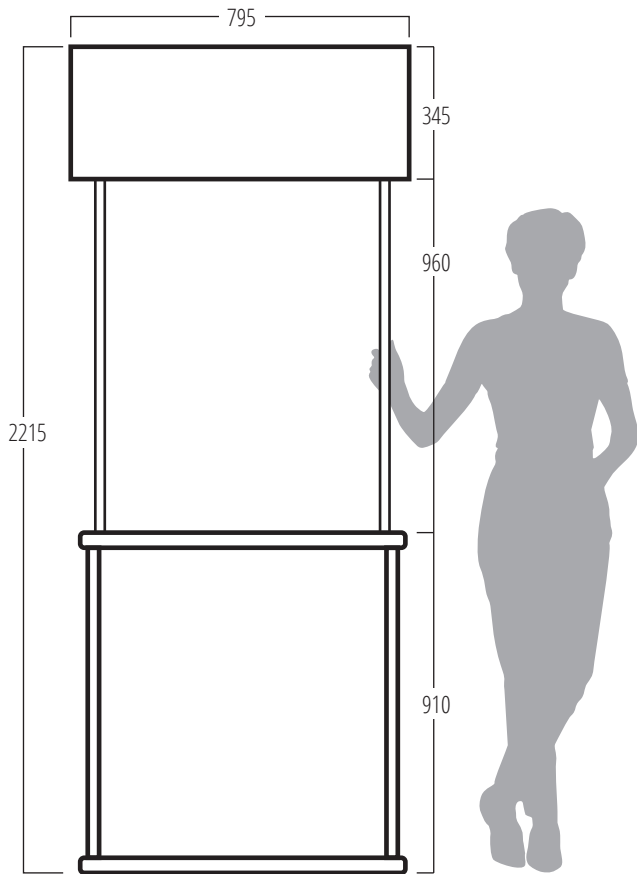


Weights in Kg

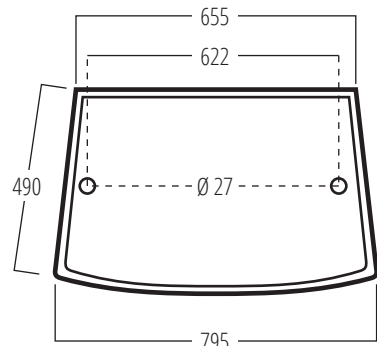
|                                  |      |
|----------------------------------|------|
| Rigid Top .....                  | 1.52 |
| Top .....                        | 1.14 |
| Shelf .....                      | 1.12 |
| Bottom .....                     | 1.14 |
| Body Panel & Graphic Rails ..... | 4.28 |
| Pole Set (four pieces) R .....   | 1.80 |
| Header .....                     | 0.73 |
| Bag .....                        | 1.04 |

Packaging in Kg

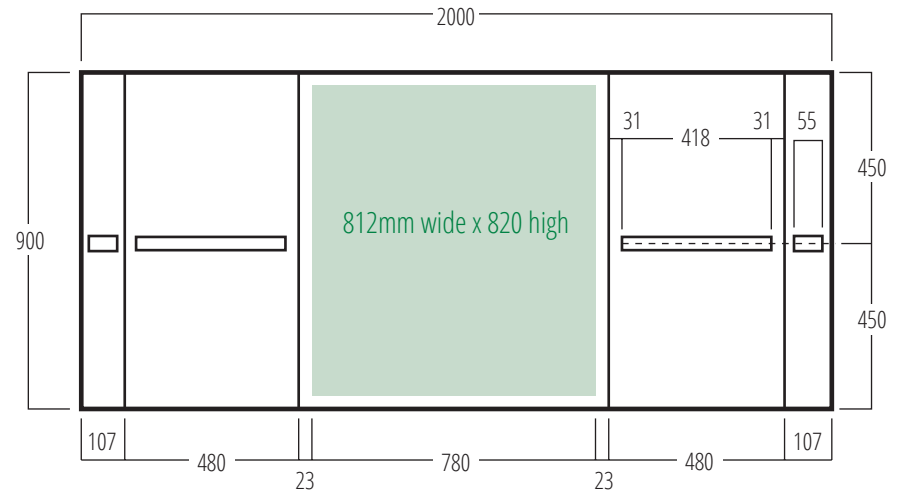
|   |      |
|---|------|
| Individual reusable carton .....          | 1.94 |
| External size: 925(w) x 845(d) x 117(h)mm |      |



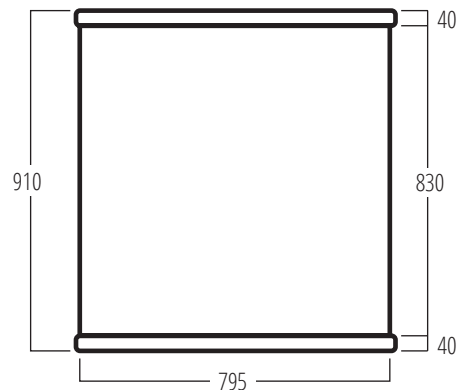
Unit and Header



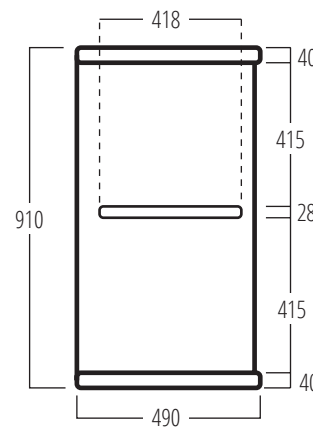
Top



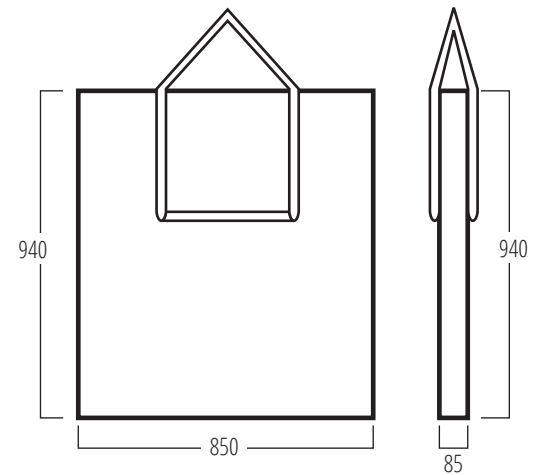
Graphic Size for Unit  
Allow 37.5mm for top and bottom



Front



Side



Carry Bag