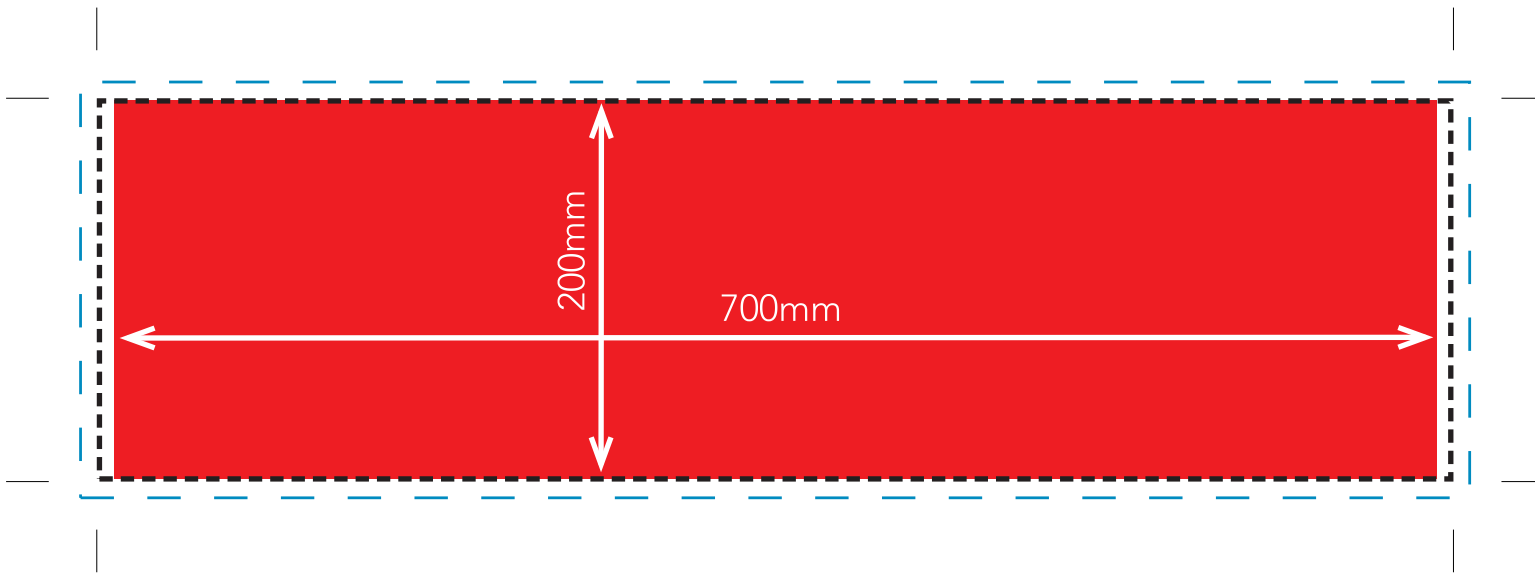





# Centro Display Pod Quarter Size Template -

## Header Promotional Panels

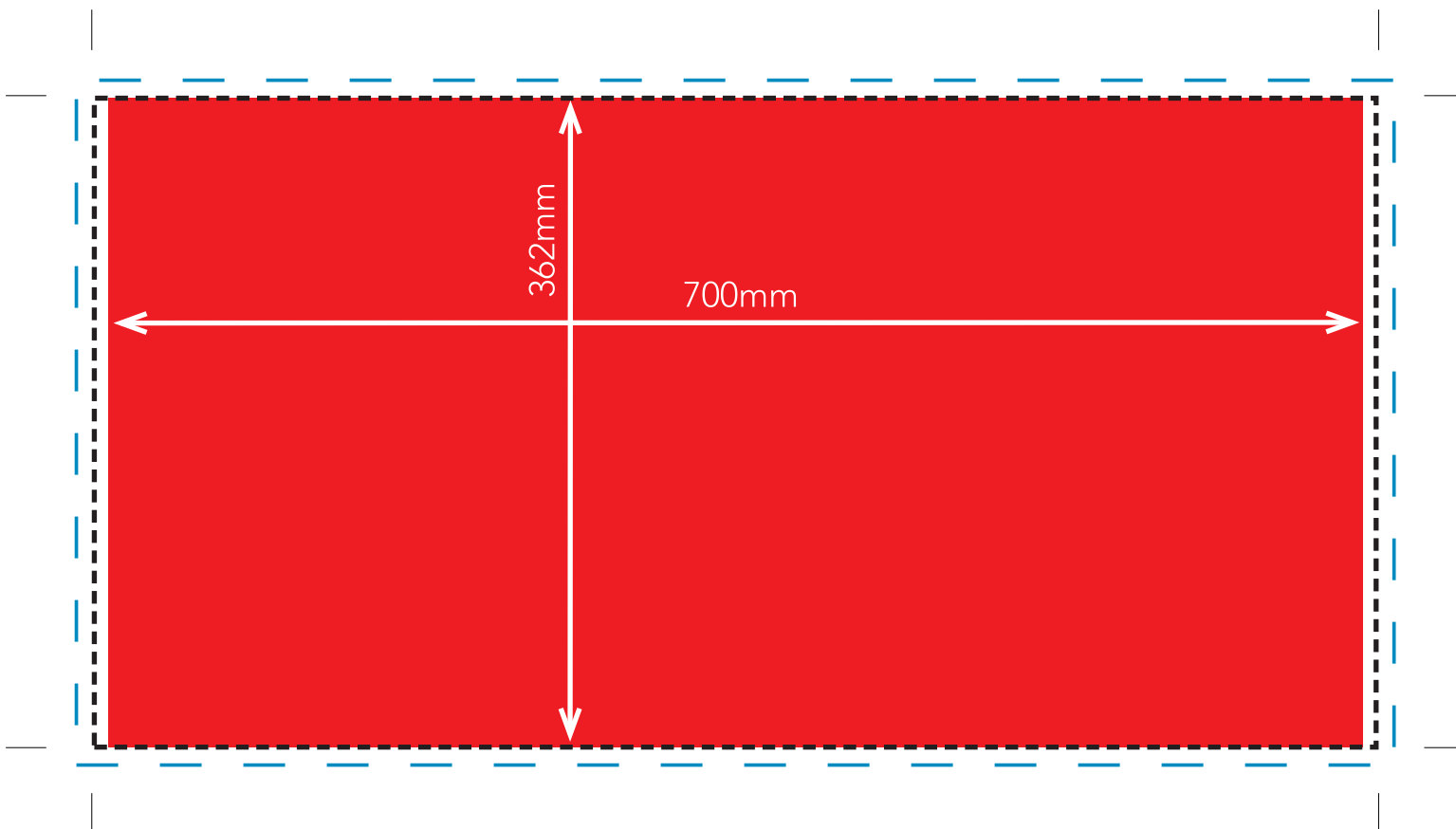
Front = 1 panel (+ Rear = 1 panel if required)






-  Image print size (inc bleed area)  
220mm(h) x 715mm(w)  
(10mm bleed on all 4 sides)
-  Finished trimmed print size  
200mm(h) x 715mm(w)  
(3mm rigid panel thickness)
-  Visible graphic area  
200mm(h) x 700mm(w)

## Infill Panels (optional)

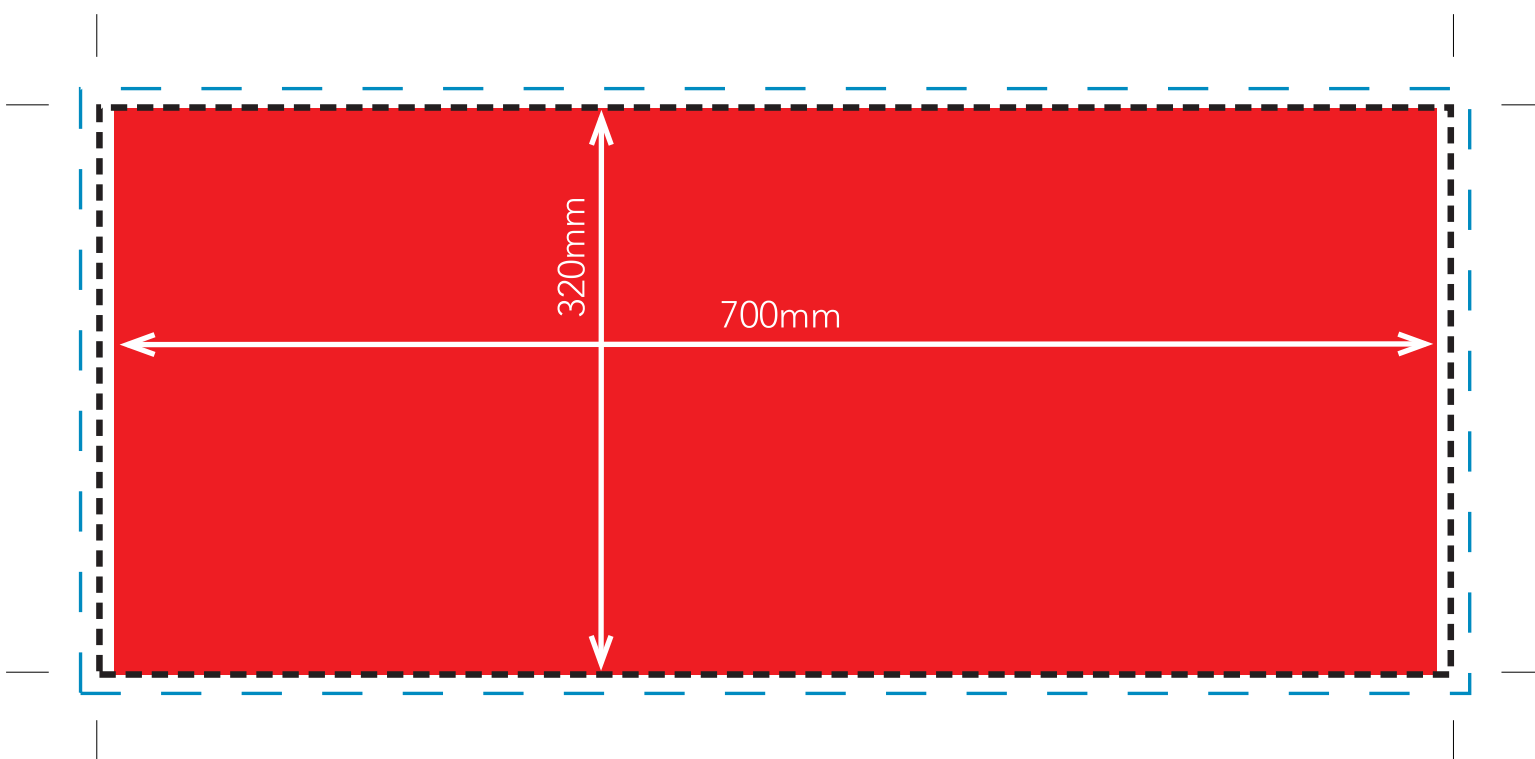
Front = 4 panels (+ Rear = 4 panels if required)






-  Image print size (inc bleed area)  
382mm(h) x 715mm(w)  
(10mm bleed on all 4 sides)
-  Finished trimmed print size  
362mm(h) x 715mm(w)  
(3mm rigid panel thickness)
-  Visible graphic area  
362mm(h) x 700mm(w)

## Footer Promotional Panels

Front = 1 panel (+ Rear = 1 panel if required)



-  Image print size (inc bleed area)  
320mm(h) x 715mm(w)  
(10mm bleed on all 4 sides)
-  Finished trimmed print size  
300mm(h) x 715mm(w)  
(3mm rigid panel thickness)
-  Visible graphic area  
300mm(h) x 700mm(w)

