

Magnetic graphic panel dimensions
(finished print/cut size and visible graphic area):

- 5 panels @ 750mmW x 1990mmH each
- 1 panel (counter) @ 2420mmW x 877mmH

3mm thick rigid panel dimensions for Showcase display:

- 6 panels (header promotional panel) @ 715mmW x 200mmH each (finished print/cut size) 700mmW x 200mmH each (visible graphic area)
- 6 panels (lower promotional panel) @ 715mmW x 300mmH each (finished print/cut size) 700mmW x 300mmH each (visible graphic area)



Centro Design Example 1

PROJECT: 5m x 2m corner stand - Centro

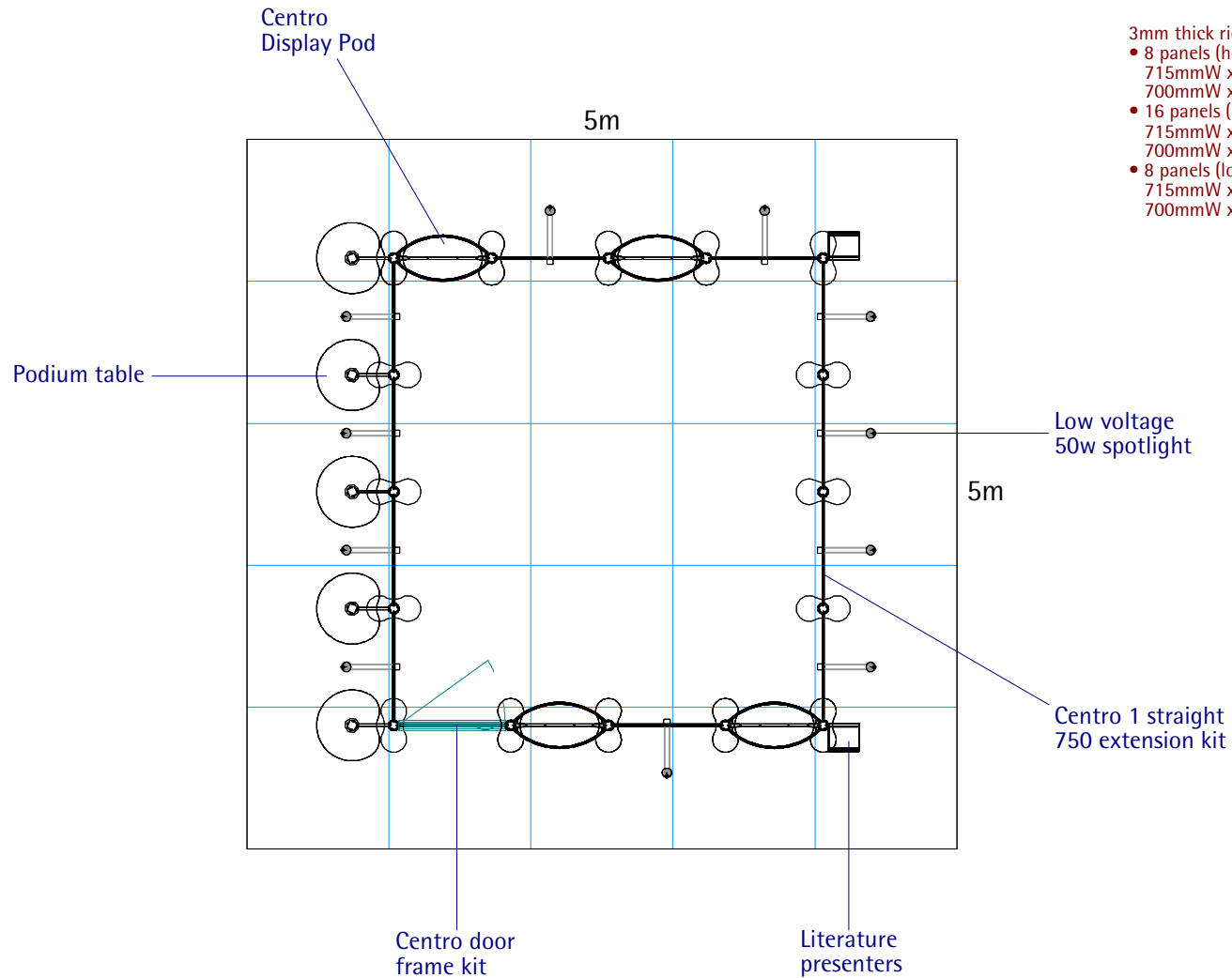
DETAIL: All dimensions in mm (unless stated)

SCALE: 1:50

Up to 8mm thick rigid panel dimensions:
 • 22 panels @ 766mmW x 948mmH each (finished print/cut size)
 750mmW x 932mmH each (visible graphic area)

Up to 8mm thick rigid panel dimensions for Door:
 • 2 panels @ 674mmW x 902mmH each (finished print/cut size)
 654mmW x 882mmH each (visible graphic area)

3mm thick rigid panel dimensions for Display Pods:
 • 8 panels (header promotional panel) @
 715mmW x 200mmH each (finished print/cut size)
 700mmW x 200mmH each (visible graphic area)
 • 16 panels (middle infill panel) @
 715mmW x 362mmH each (finished print/cut size)
 700mmW x 362mmH each (visible graphic area)
 • 8 panels (lower promotional panel) @
 715mmW x 300mmH each (finished print/cut size)
 700mmW x 300mmH each (visible graphic area)



Centro Design Example 2

PROJECT: 5m x 5m island stand - Centro

DETAIL: All dimensions in mm (unless stated)

SCALE: 1:50



Centro Design Example 2

PROJECT: 5m x 5m island stand - Centro

DETAIL: All dimensions in mm (unless stated)

SCALE: 1:50

Centro AV kit 1 display
for up to 42" screen

Low voltage
50w spotlight

3m

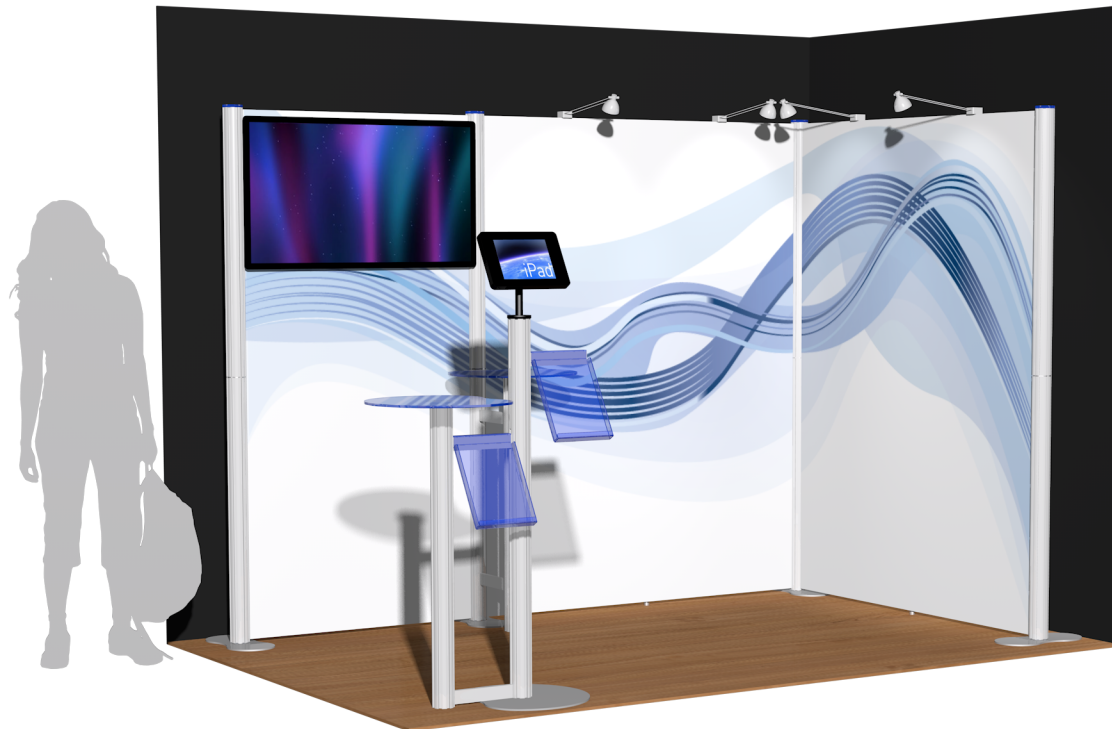
2m

Centro 2 straight
1500 extension

iPad Versa 2
display kit

Magnetic graphic panel dimensions
(finished print/cut size and visible graphic area):

- 1 panel (with aperture for screen mount) @ 950mmW x 1990mmH
- 4 panels @ 750mmW x 1990mmH each

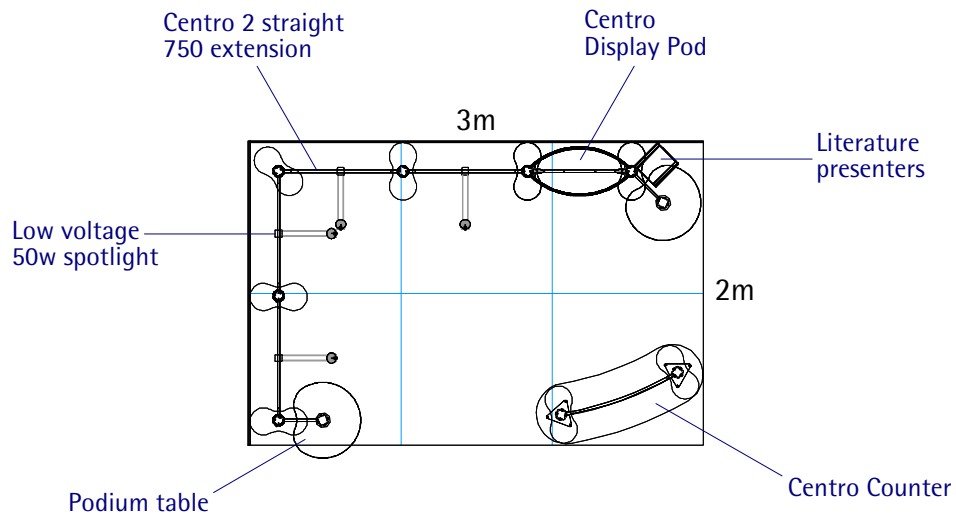


Centro Design Example 3

PROJECT: 3m x 2m corner stand - Centro

DETAIL: All dimensions in mm (unless stated)

SCALE: 1:50

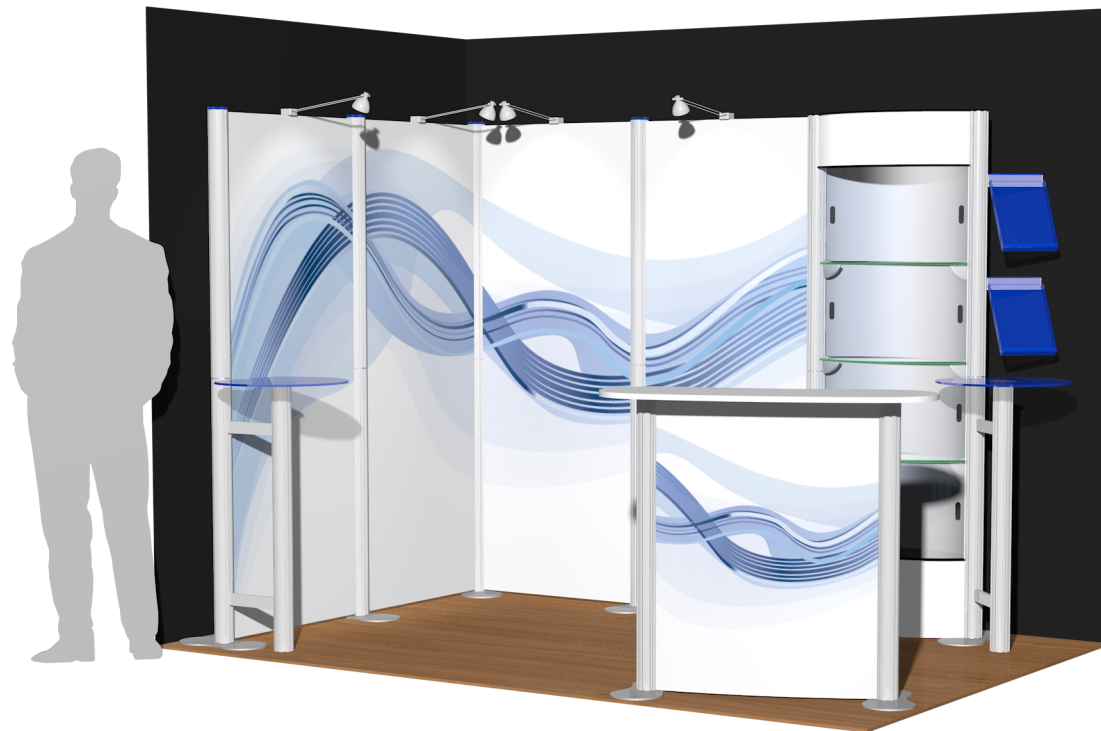


Magnetic graphic panel dimensions
(finished print/cut size and visible graphic area):

- 4 panels @ 750mmW x 1990mmH each
- 1 panel (counter) @ 757mmW x 999mmH

3mm thick rigid panel dimensions for Showcase display:

- 2 panels (header promotional panel) @ 715mmW x 200mmH each (finished print/cut size) 700mmW x 200mmH each (visible graphic area)
- 2 panels (lower promotional panel) @ 715mmW x 300mmH each (finished print/cut size) 700mmW x 300mmH each (visible graphic area)



Centro Design Example 4

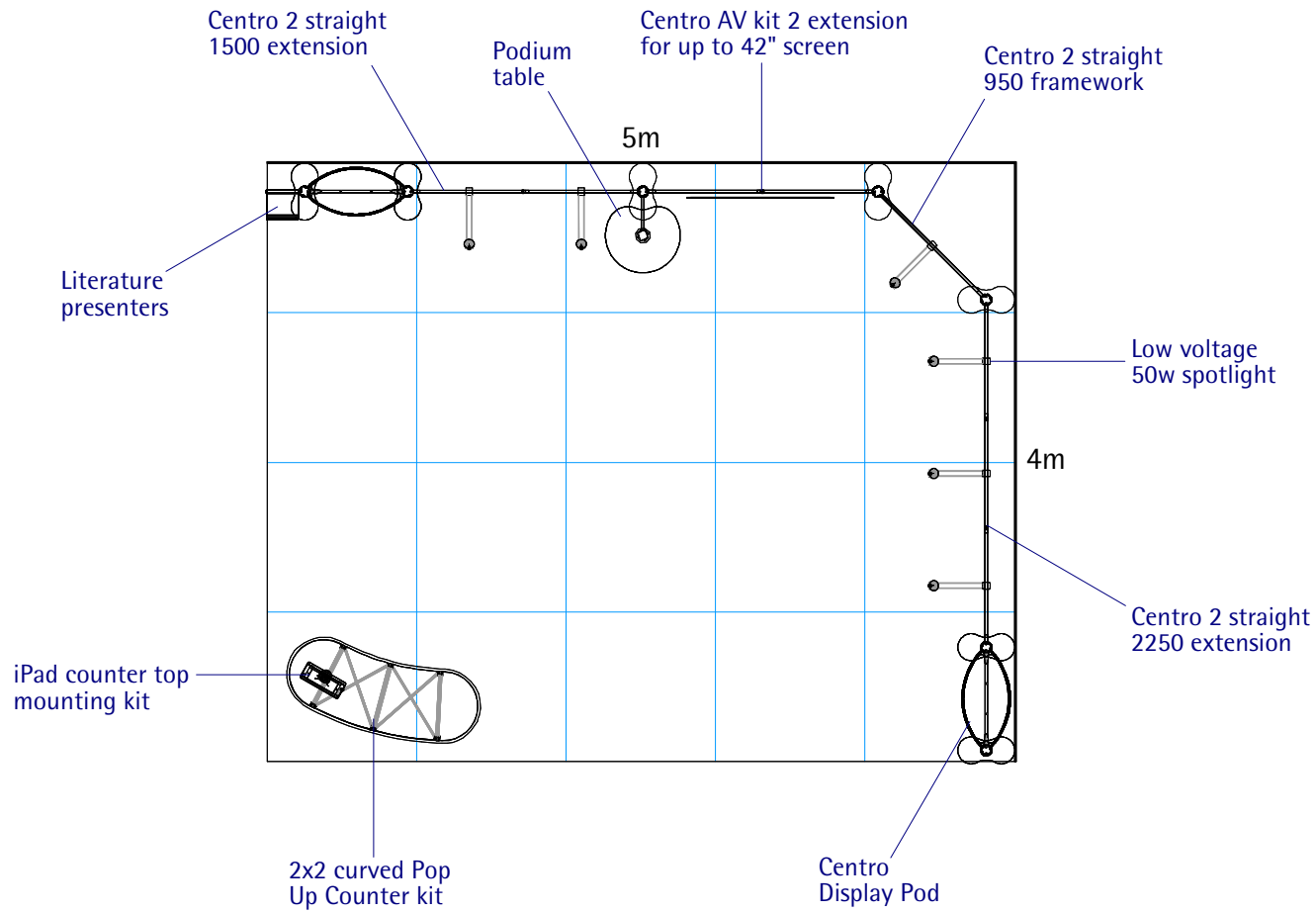
PROJECT: 3m x 2m corner stand - Centro

DETAIL: All dimensions in mm (unless stated)

SCALE: 1:50

- Magnetic graphic panel dimensions
(finished print/cut size and visible graphic area):
- 2 panels (with aperture for screen mount) @ 750mmW x 1990mmH each
 - 5 panels @ 750mmW x 1990mmH each
 - 1 panel @ 950mmW x 1990mmH
 - 1 panel (counter) @ 2420mmW x 877mmH

- 3mm thick rigid panel dimensions for Display Pods:
- 4 panels (header promotional panel) @ 715mmW x 200mmH each (finished print/cut size) 700mmW x 200mmH each (visible graphic area)
 - 4 panels (lower promotional panel) @ 715mmW x 300mmH each (finished print/cut size) 700mmW x 300mmH each (visible graphic area)

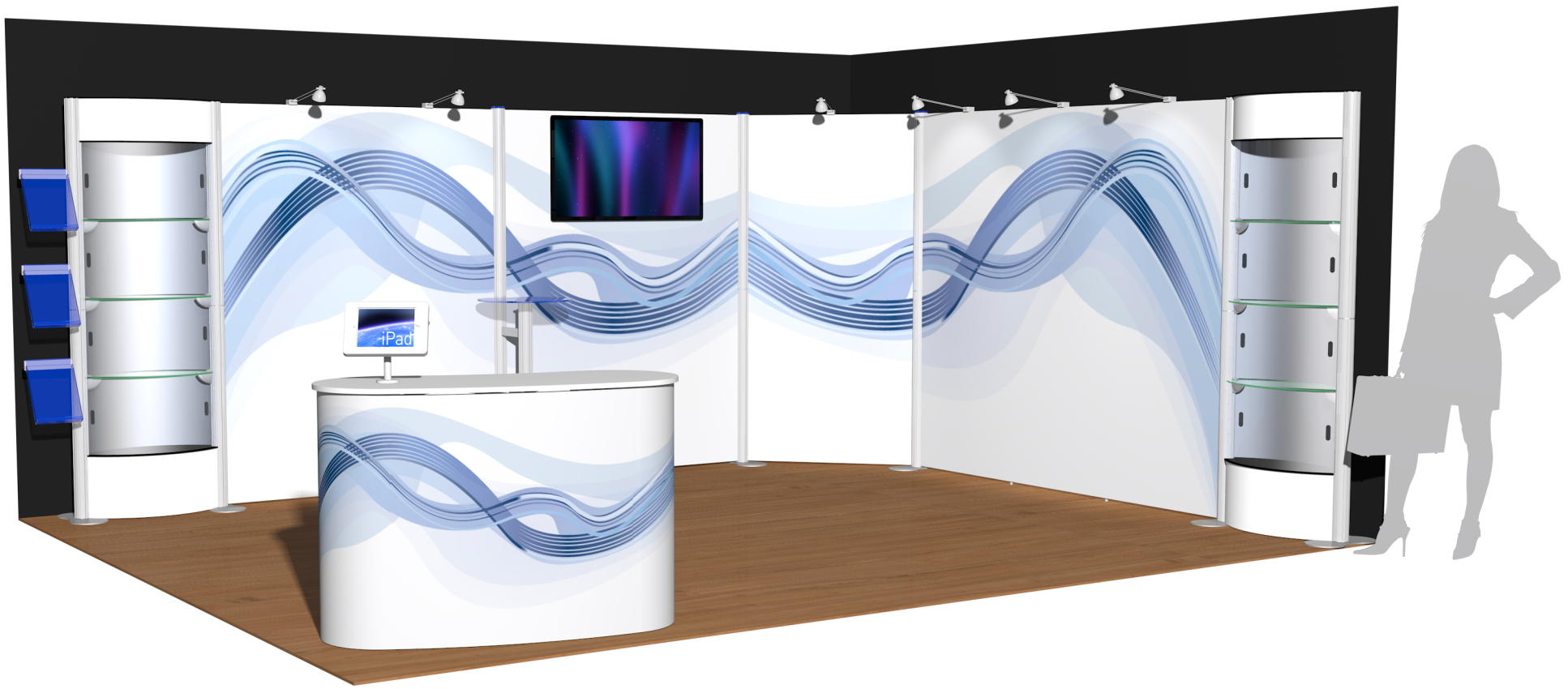


Centro Design Example 5

PROJECT: 5m x 4m corner stand - Centro

DETAIL: All dimensions in mm (unless stated)

SCALE: 1:50

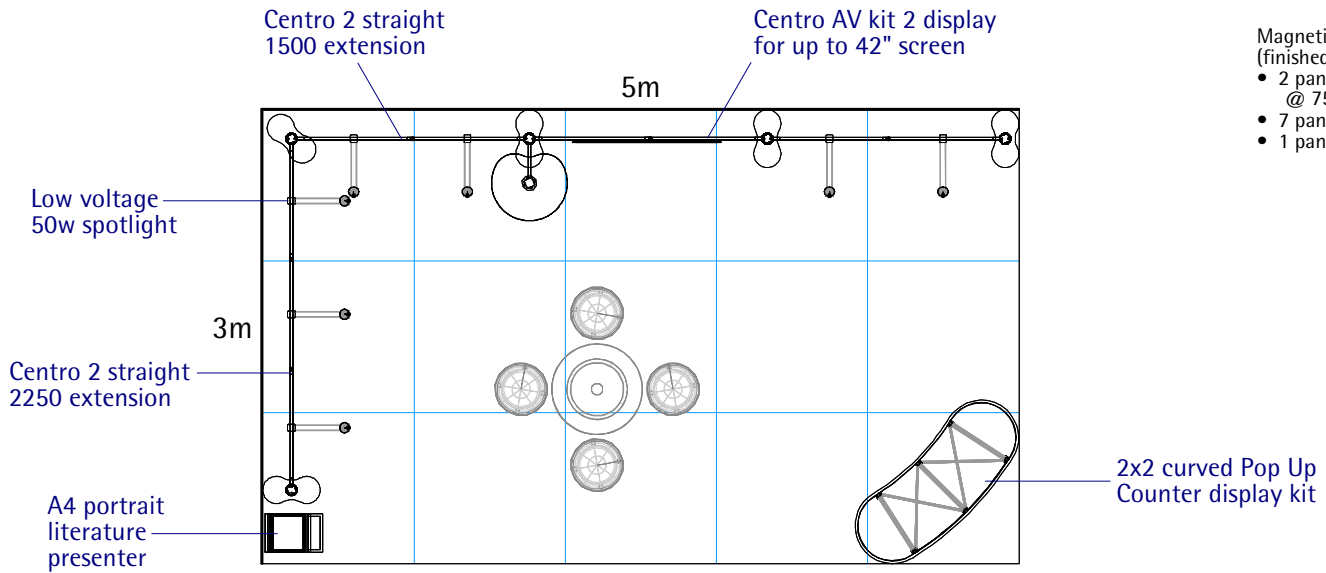


Centro Design Example 5

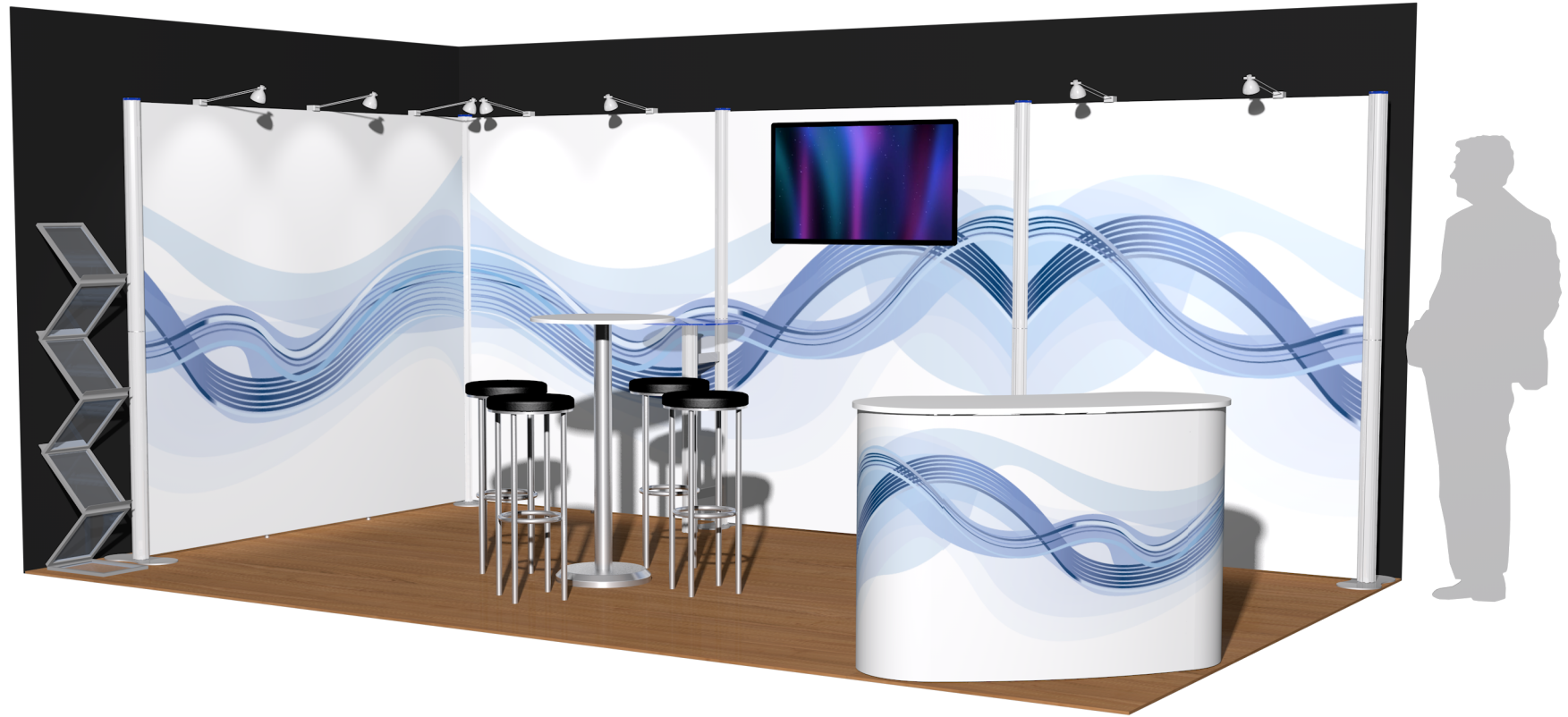
PROJECT: 5m x 4m corner stand - Centro

DETAIL: All dimensions in mm (unless stated)

SCALE: 1:50



- Magnetic graphic panel dimensions (finished print/cut size and visible graphic area):
- 2 panels (with aperture for screen mount) @ 750mmW x 1990mmH each
 - 7 panels @ 750mmW x 1990mmH each
 - 1 panel (counter) @ 2420mmW x 877mmH

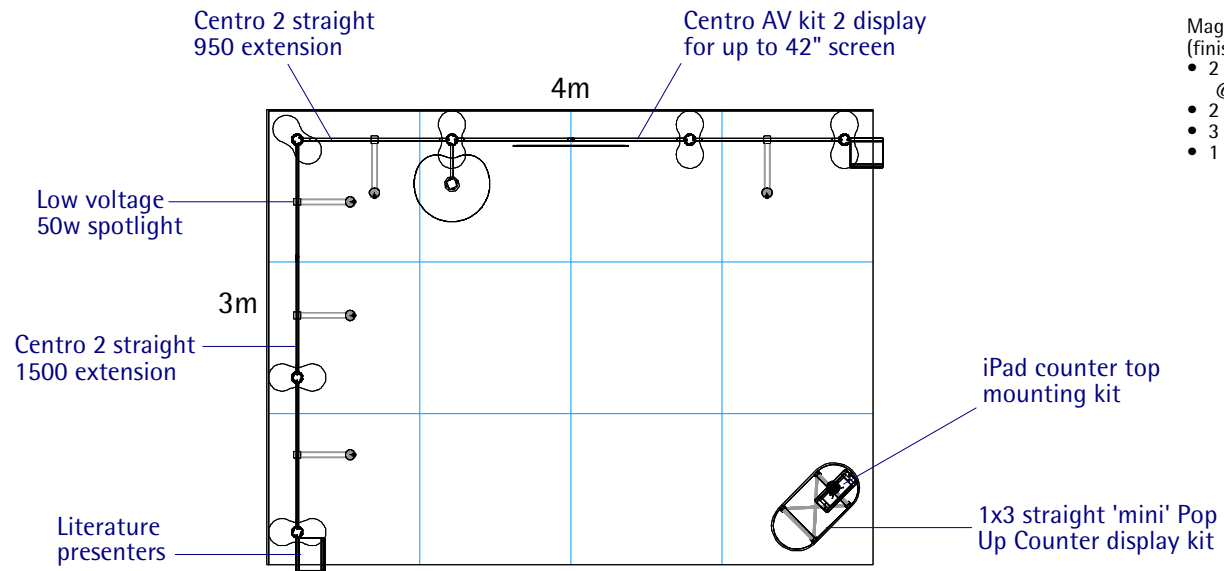


Centro Design Example 6

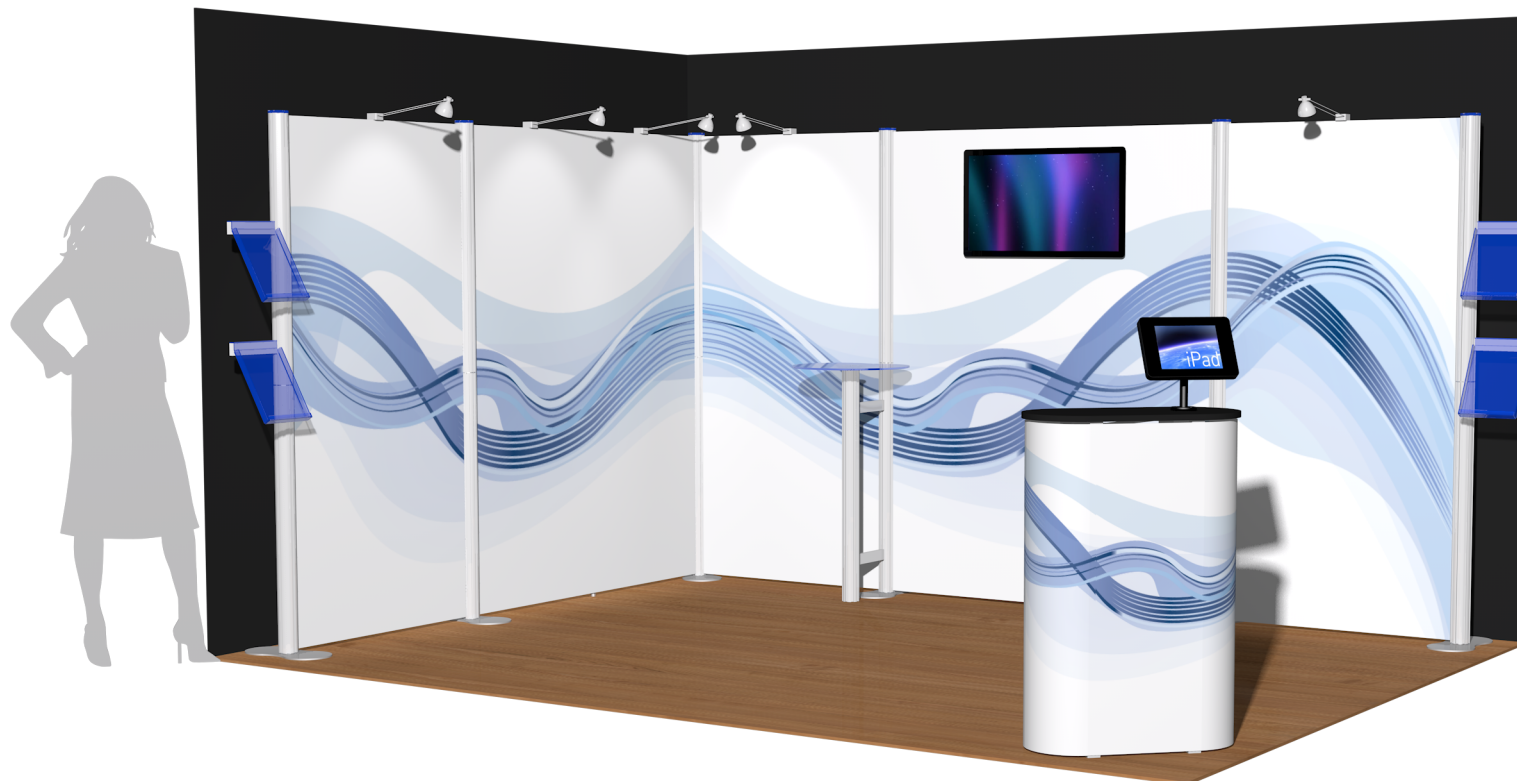
PROJECT: 5m x 3m corner stand - Centro

DETAIL: All dimensions in mm (unless stated)

SCALE: 1:50



- Magnetic graphic panel dimensions (finished print/cut size and visible graphic area):
- 2 panels (with aperture for screen mount) @ 750mmW x 1990mmH each
 - 2 panels @ 750mmW x 1990mmH each
 - 3 panels @ 950mmW x 1990mmH each
 - 1 panel (counter) @ 1329mmW x 1000mmH



Centro Design Example 7

PROJECT: 4m x 3m corner stand - Centro

DETAIL: All dimensions in mm (unless stated)

SCALE: 1:50