

# Modular Display System/**Centro** 1



## **CENTRO 1 - Modular Display System**

- Designed for a banner graphic with horizontally hemmed pockets or rigid panel up to 7mm thick
- Innovative modular display system
- Contemporary neon acrylic features
- Unique, robust anodised aluminium construction
- Requiring only a single hex bit for complete assembly
- 4mm Hex key supplied
- Shaped silver base plate to maximise stability
- Quality assured – 5 year guarantee

# Modular Display System/**Centro 1**

## Available in 3 widths

- Graphic widths - 750mm, 1500mm and 2250mm



C1K/75



C1K/150



C1K/225

---

## Specifications

### Centro 1 750mm (C1K/75)

- Weight with wheeled trolley case 27kg
- Maximum footprint 1006mm x 380mm

### Centro 1 1500mm (C1K/150)

- Weight with wheeled trolley case 28kg
- Maximum footprint 1756mm x 380mm

### Centro 1 2250mm (C1K/225)

- Weight with wheeled trolley case 29kg
- Maximum footprint 2508mm x 380mm

Overall height of all Centro kits is 2015mm.  
The above weight figures include the kit, wheeled trolley case and packaging.

# Modular Display System/**Centro** 1

## Post caps available in various colours

- Range of coloured neon acrylic features - blue, green, red and standard frost



## **CENTRO** wheeled trolley case

- Compact and durable moulded plastic case and lid
- Base fitted with Rubber Wheels
- Moulded lid handle with additional side carry handle
- 3 lid latches with lockable facility
- White lined graphics tube 254mm dia. x 980mm (can hold 4 x 1990mm drops)
- Internal elasticated product retaining strap
- Overall case dimensions 520mmW x 440mmD x 1130mmH
- Net weight 9.0kg
- Quality assured - 12 months guarantee



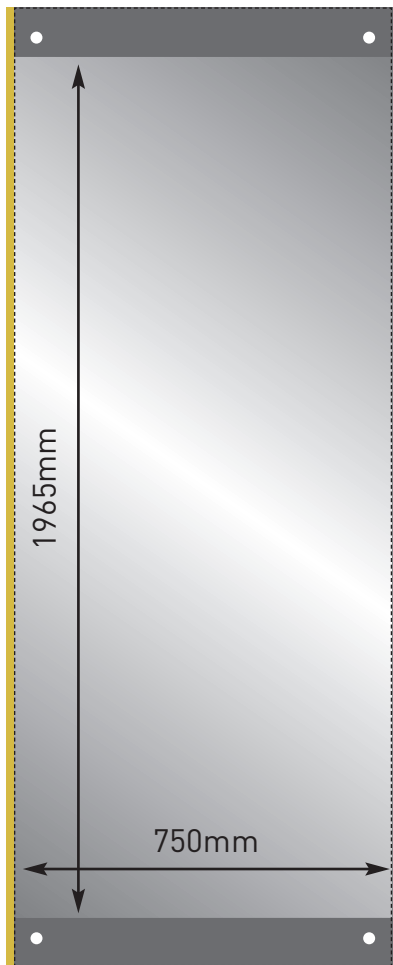
## **4mm Hex Key**

- High strength nylon handle
- Ergonomic handle for maximum grip and comfort

# CENTRO 1 (750mm - double sided tape) Graphic Specification

1965mm x 750mm

TOP

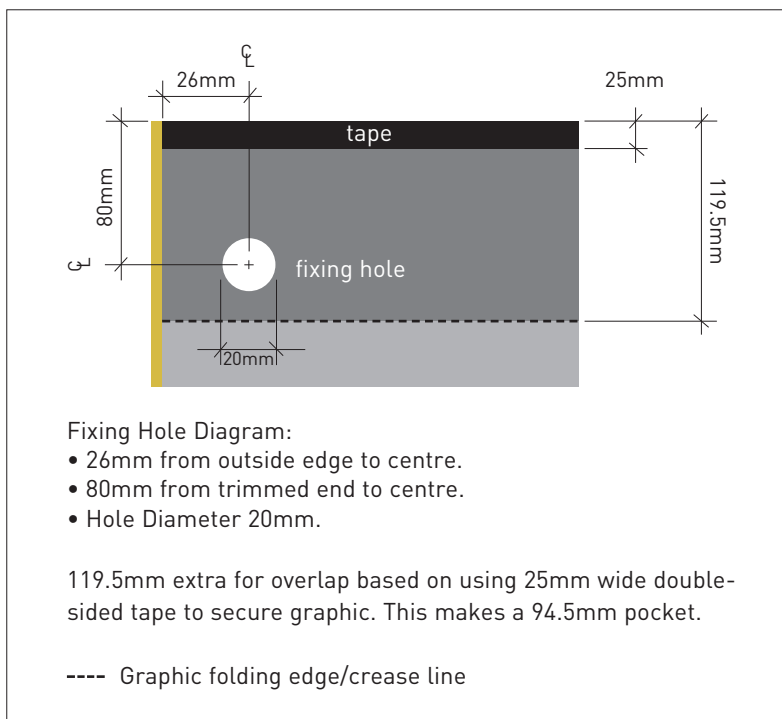


Visible graphic area  
1965mmH x 750mmW

Finished print size  
2204mmH x 750mmW

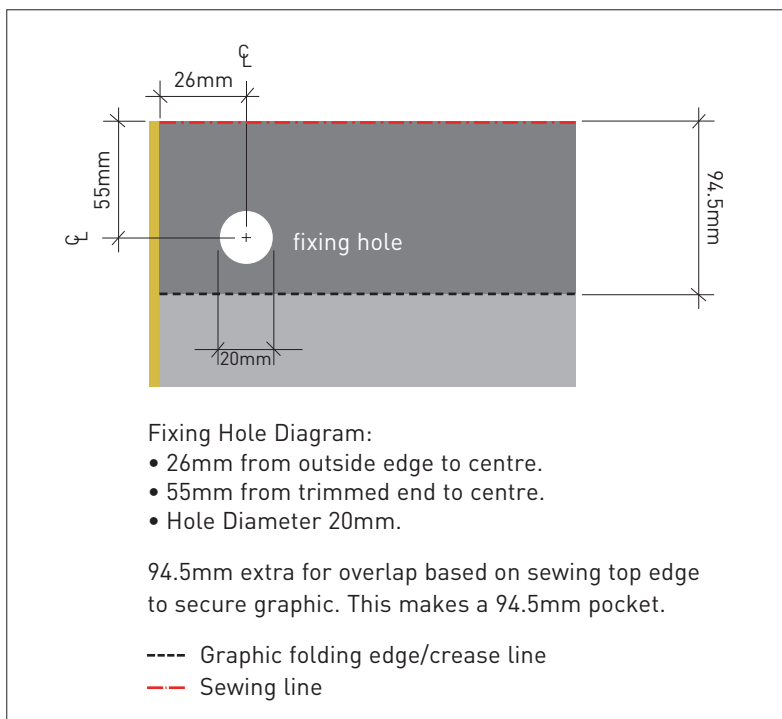
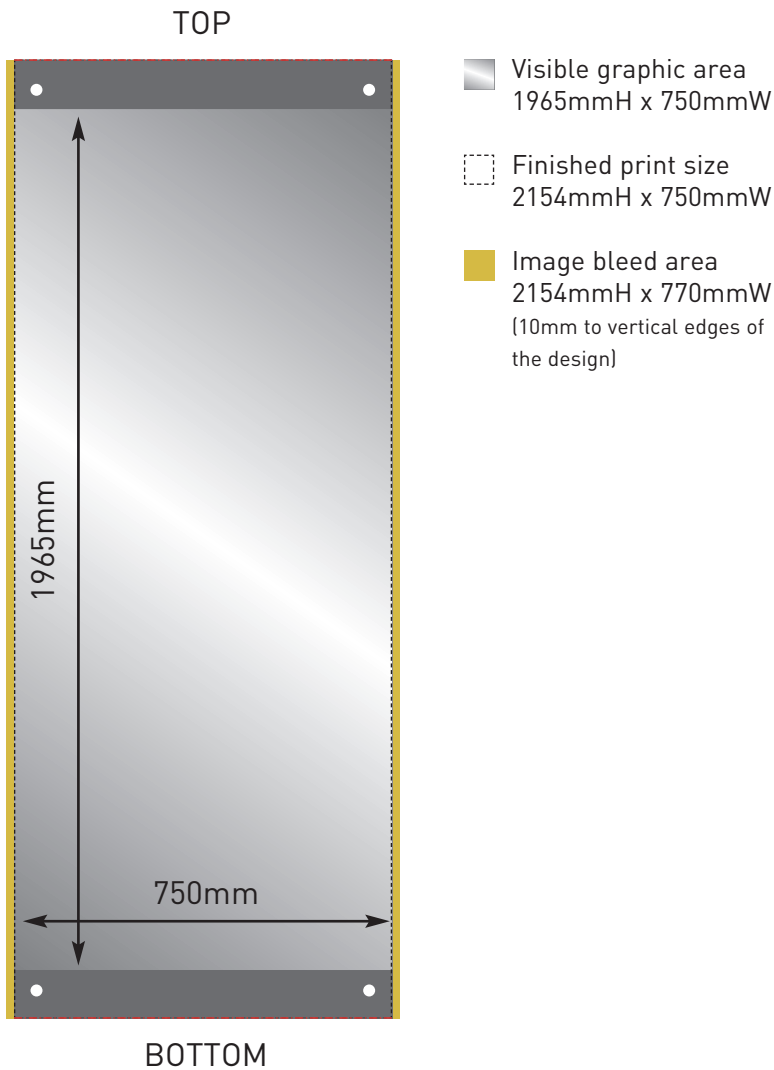
Image bleed area  
2204mmH x 770mmW  
(10mm to vertical edges of  
the design)

BOTTOM



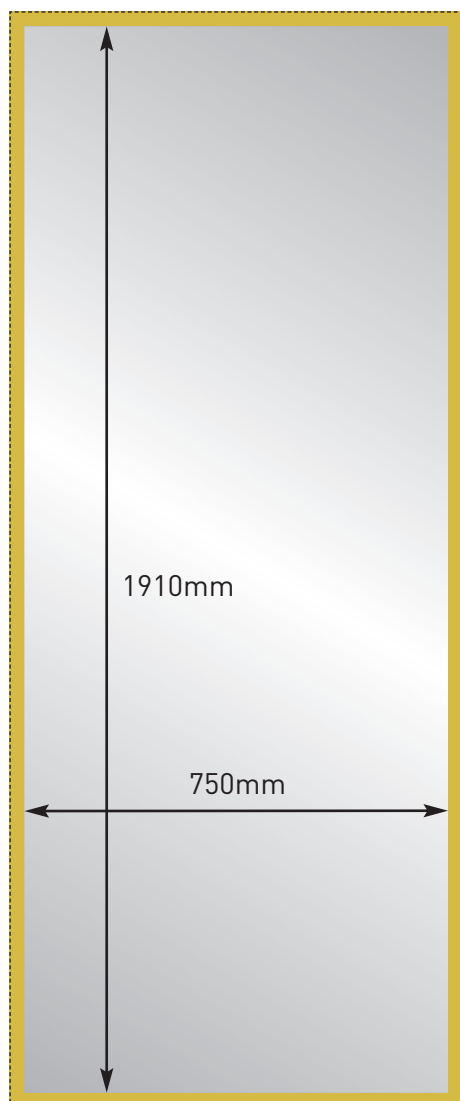
# CENTRO 1 (750mm - sewn pockets) Graphic Specification

1965mm x 750mm



# CENTRO 1 (750mm) Graphic Specification for rigid panel

1910mm x 750mm



Visible graphic area  
1910mmH x 750mmW

Finished print size  
1930mmH x 764mmW  
(7mm max. panel thickness)

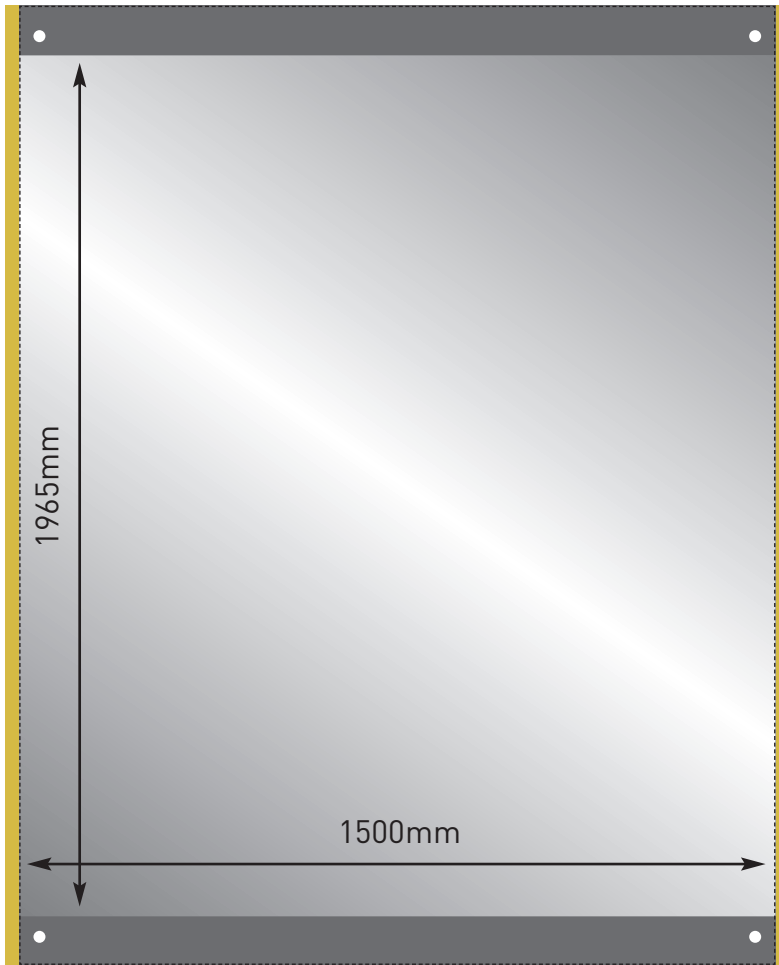
Image bleed area  
1930mmH x 764mmW  
(7mm to vertical edges and 10mm  
to horizontal edges of the design)



# CENTRO 1 (1500mm - double sided tape) Graphic Specification

1965mm x 1500mm

TOP

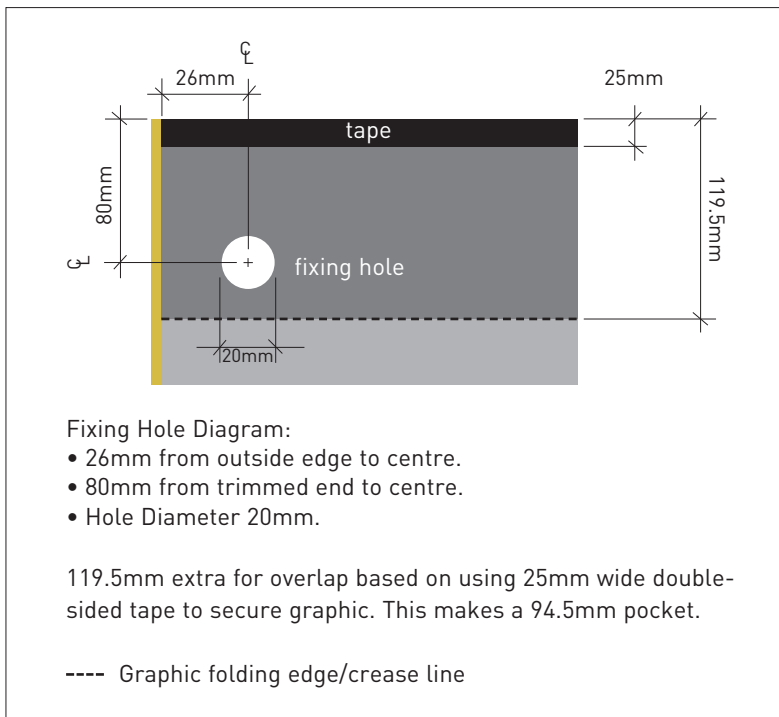


Visible graphic area  
1965mmH x 1500mmW

Finished print size  
2200mmH x 1500mmW

Image bleed area  
2200mmH x 1520mmW  
(10mm to vertical edges of  
the design)

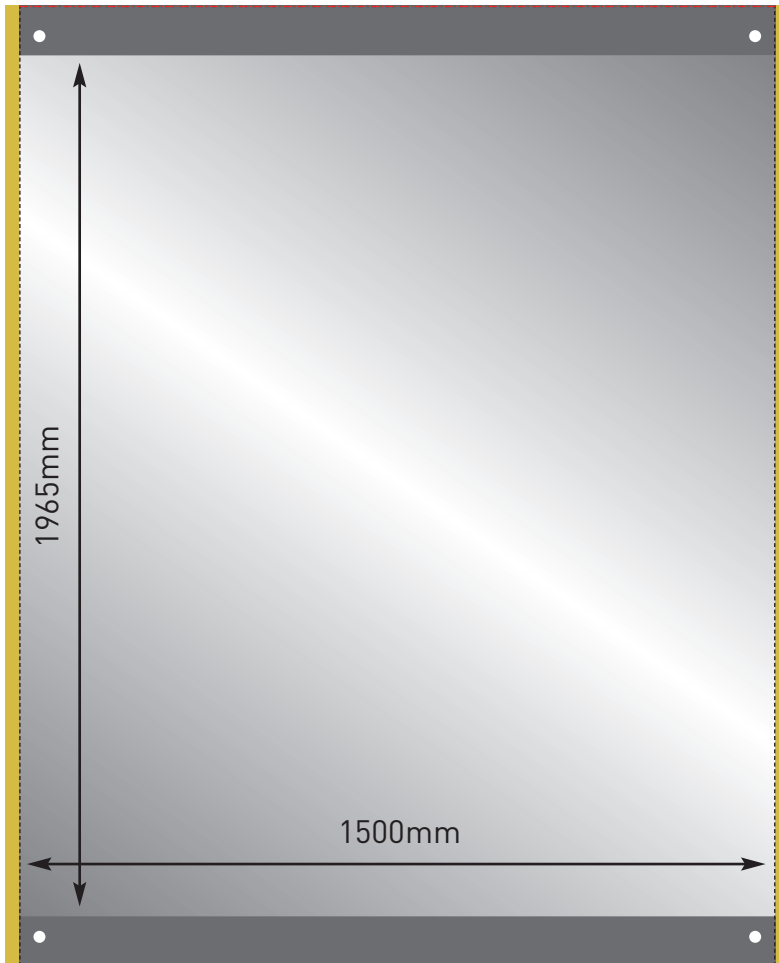
BOTTOM



# CENTRO 1 (1500mm - sewn pockets) Graphic Specification

1965mm x 1500mm

TOP

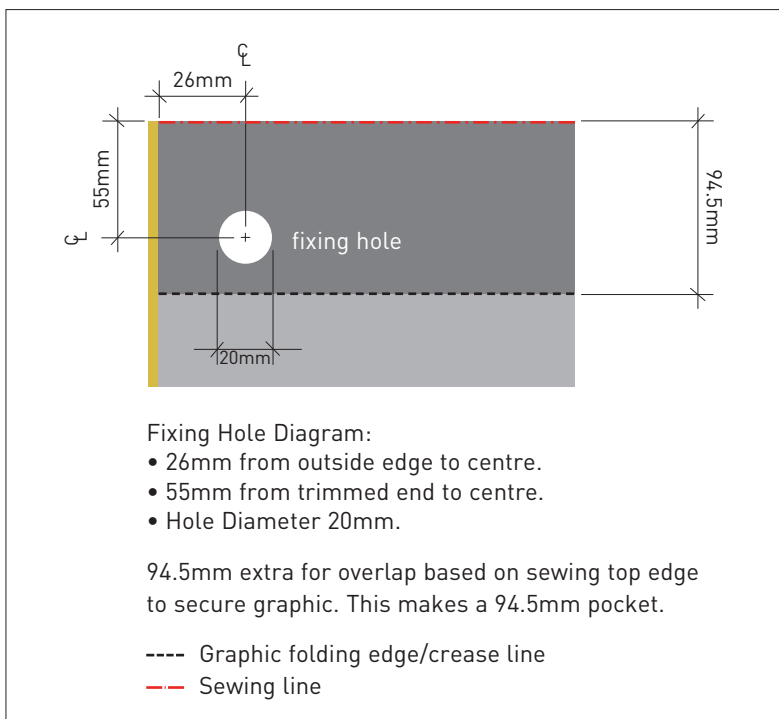


Visible graphic area  
1965mmH x 1500mmW

Finished print size  
2154mmH x 1500mmW

Image bleed area  
2154mmH x 1520mmW  
(10mm to vertical edges of  
the design)

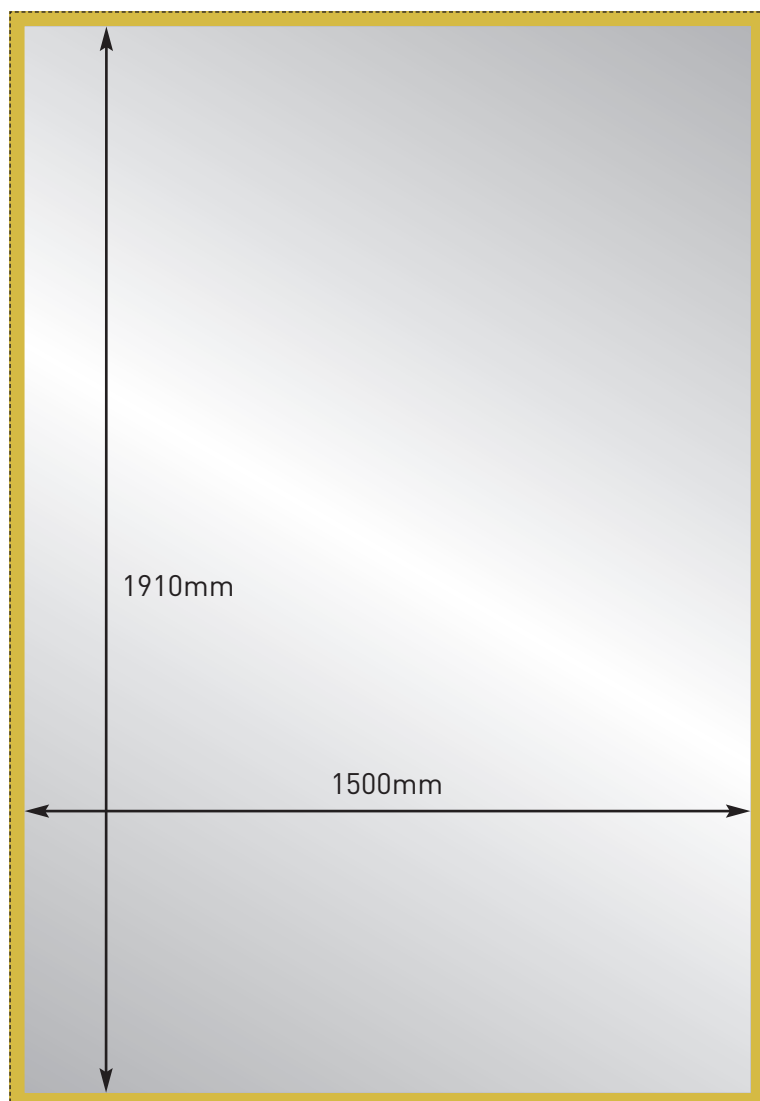
BOTTOM





# CENTRO 1 (1500mm) Graphic Specification for rigid panel

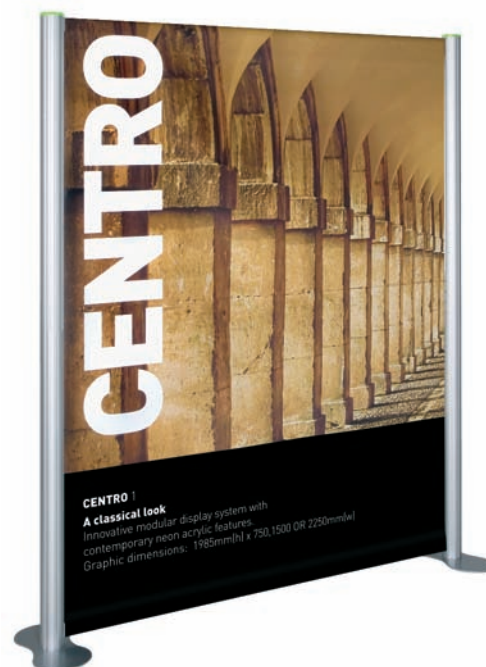
1910mm x 1500mm



Visible graphic area  
1910mmH x 1500mmW

Finished print size  
1930mmH x 1514mmW  
(7mm max. panel thickness)

Image bleed area  
1930mmH x 1514mmW  
(7mm to vertical edges and 10mm  
to horizontal edges of the design)



# CENTRO 1 (2250mm - double sided tape)

## Graphic Specification

1965mm x 2250mm

Visible graphic area  
1965mmH x 2250mmW

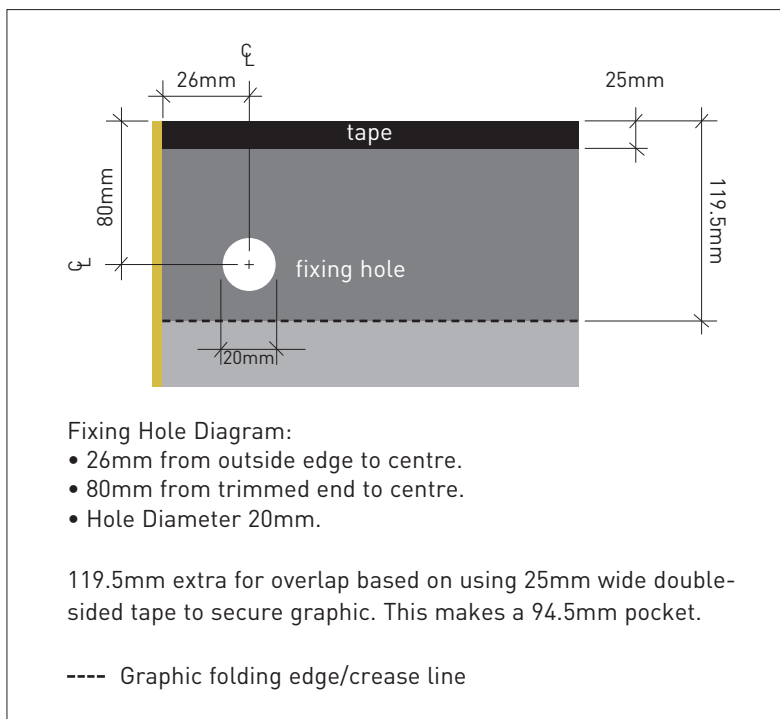
Finished print size  
2204mmH x 2250mmW

Image bleed area  
2204mmH x 2270mmW  
(10mm to vertical edges of  
the design)

TOP



BOTTOM



# CENTRO 1 (2250mm - sewn pockets)

## Graphic Specification

1965mm x 2250mm

Visible graphic area  
1965mmH x 2250mmW

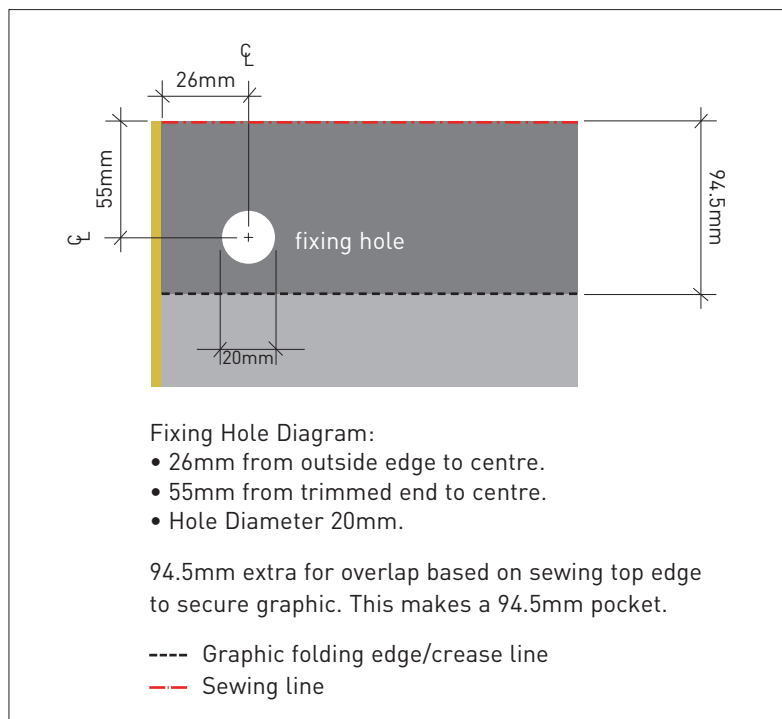
Finished print size  
2154mmH x 2250mmW

Image bleed area  
2154mmH x 2270mmW  
(10mm to vertical edges of  
the design)

TOP

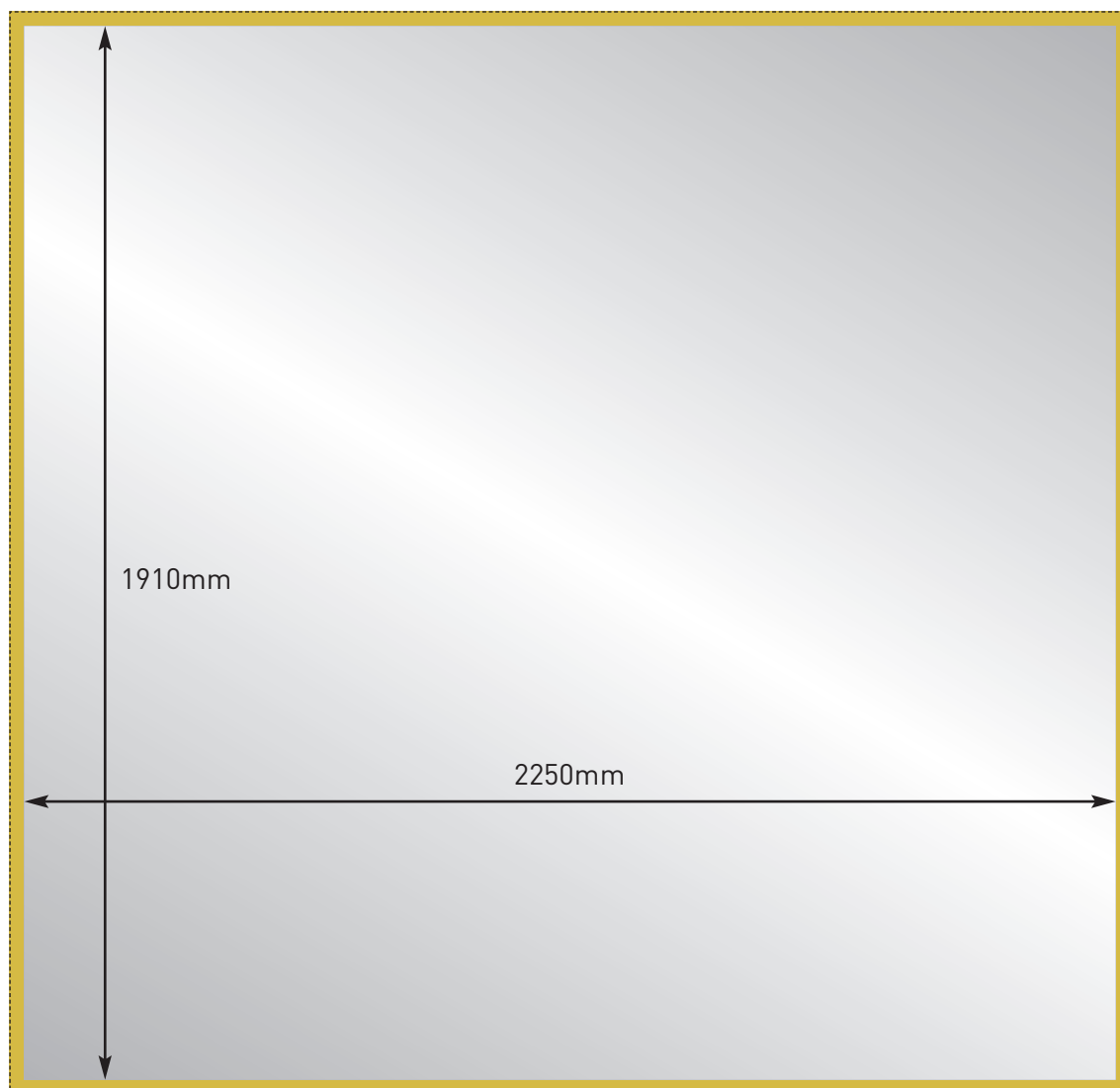


BOTTOM



# CENTRO 1 (2250mm) Graphic Specification for rigid panel

1910mm x 2250mm



Visible graphic area  
1910mmH x 2250mmW

Finished print size  
1930mmH x 2264mmW  
(7mm max. panel thickness)

Image bleed area  
1930mmH x 2264mmW  
(7mm to vertical edges and 10mm  
to horizontal edges of the design)



# Centro 1 Assembly Instructions



1



Stand base on the ground.  
Loosen grub screws and slide  
both connector bars half way  
out of groove and retighten.  
Repeat for other base post.

**Note:** Base plates  
pre-assembled on kits  
supplied in carry bag only.

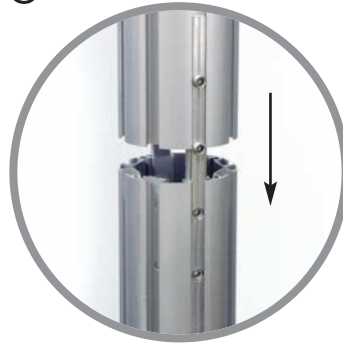


2



The upper 8-way post end cap has two notches which should align with the connector bar grooves shown in stage 1.

3



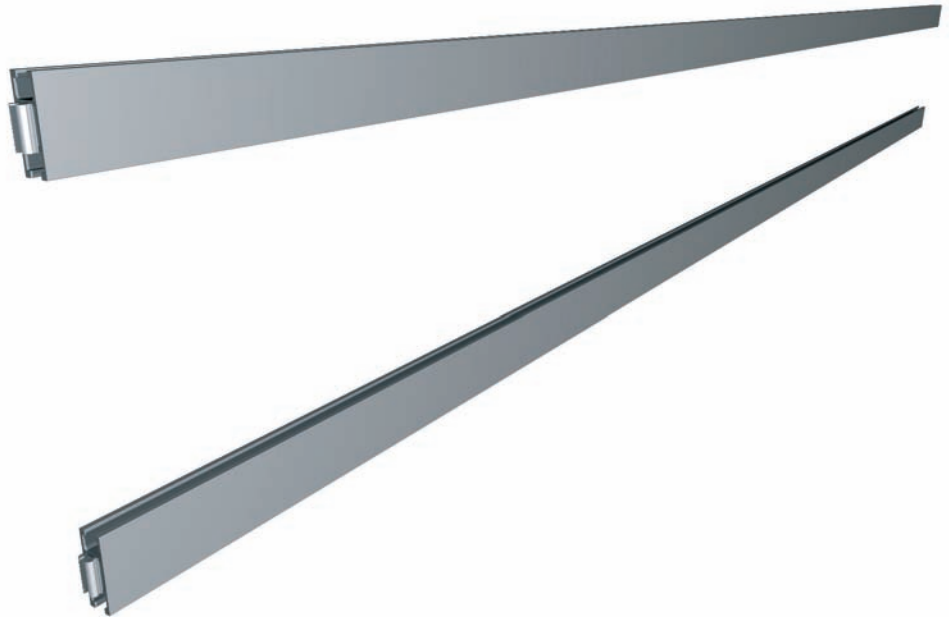
Join posts and tighten the grub screws to make assembly secure. Repeat for other base posts.



4

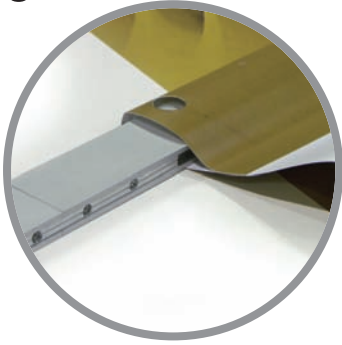


Assemble the horizontal rails in the same manner as the posts by loosening connector bars, sliding in between rails and retightening.





5



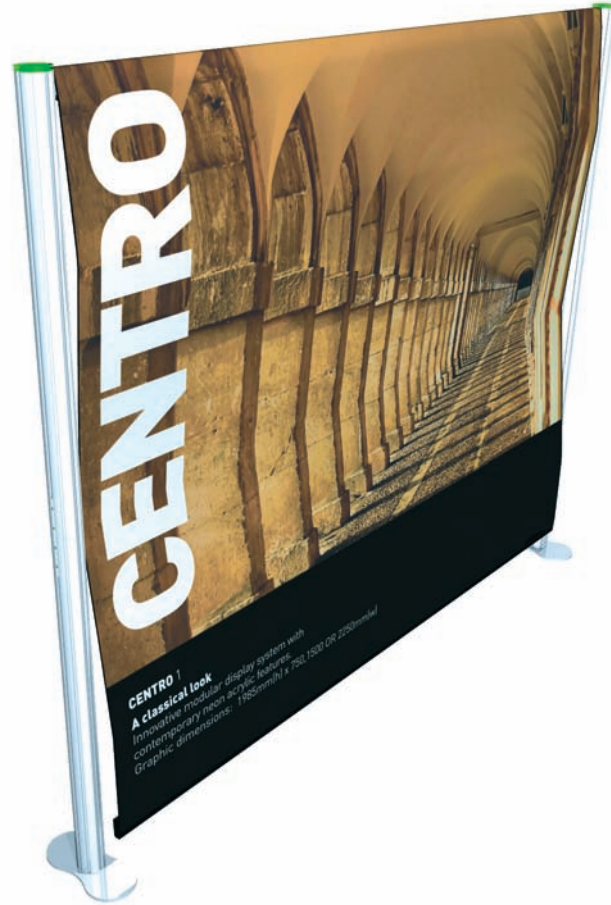
Slide one set of horizontals into the top pocket of the graphic ensuring that the connector bars are on the underside of the profiles.



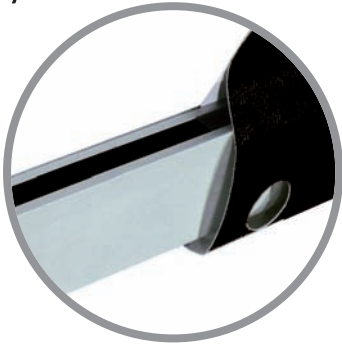
6



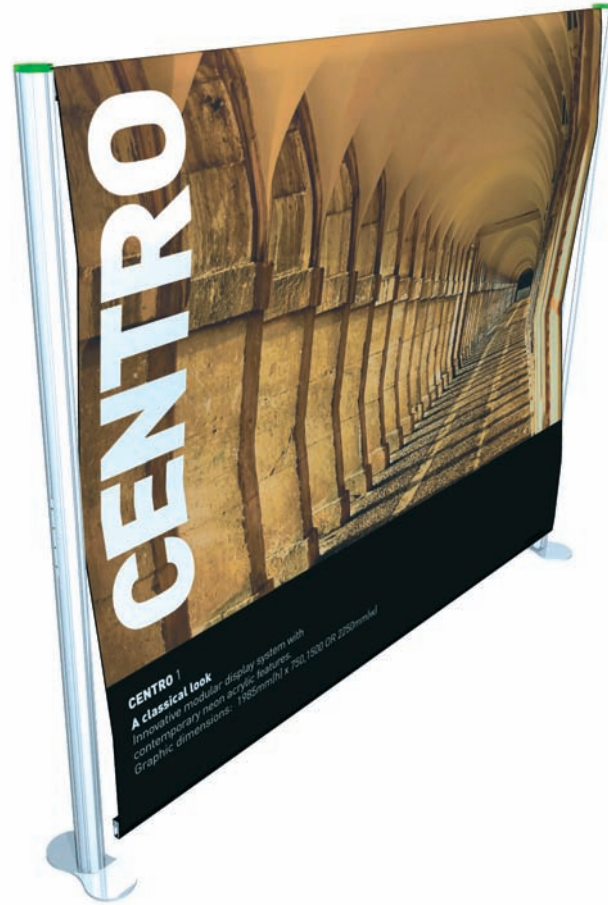
Connect the top horizontal rail to the two posts and tighten grub screws to secure in place.



7



Slide the other set of horizontals into the bottom pocket of the graphic ensuring that the connector bars are on the underside of the profiles.



8



Tension graphic by pulling down the bottom horizontal rail and secure to both posts by tightening grub screws.

