

Café Barriers - Stainless Steel

Stylish, strong and effective – create the perfect space for your customers and brand



Showing lower cross rail and sliding ring tether option



Café Barriers win space and visibility

- Unique patented design with market leading features and benefits
- High quality **stainless steel** for optimum outdoor life and scratch resistance
- 13.5kg x 360mm diameter **base** provides excellent stability
- Lower **cross rail** for full Disability Discrimination Act (DDA) compliance or lower cost bungee fixings available

- Flat packed for easy storage and transport
- Easy to assemble. Spanner included with base/pole fixing set



In stock



Recyclable

Stainless steel poles and bases. Designed for easy 'end of life' recycling.

Unique features



Top/clip

Sleek top designed for comfortable lifting, with quick-release cross rails



Bottom Cross Rail

Optional rigid lower cross rail provides audible 'tap' for visually impaired (DDA compliant)



Base

13.5kg rubber-edged base provides optimum stability, prevents damage to floors and gives option to roll rather than lift

Café Barriers - Black

Alternative look, even greater value – stylish Black



Showing bungee tether option in place of lower cross rail and sliding ring

- Black poles and bases with bungee tether option offers our lowest cost solution
- Choice of banner sizes and materials
- Same unique market leading design

- Tough satin black pole and base for an alternative look
- Stainless steel cross rails



In stock



Recyclable

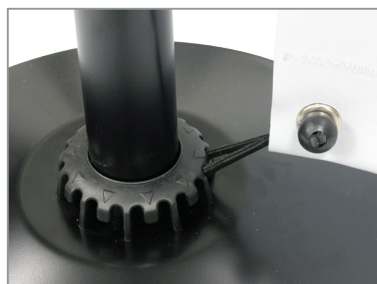
Steel poles and bases.
Designed for easy 'end of life' recycling.

Café Barrier:



Sliding Ring

Unique patented 'smooth glide' ring allows banner to flex and eliminates wind damage associated with traditional designs



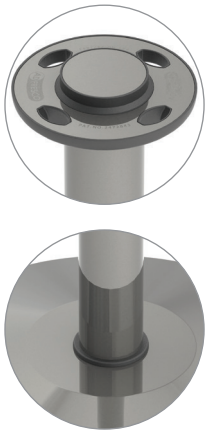
Bungee Connector

Optional lower bungee connector holds banner taut – a cost effective alternative to a bottom cross rail

Café Barrier - Selection Tool

1

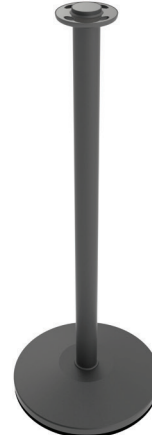
Choose your Poles & Bases



Stylish and strong stainless steel
- optimum outdoor life and scratch resistance

OR

Classy and cost-effective satin black
- for a lower cost alternative look

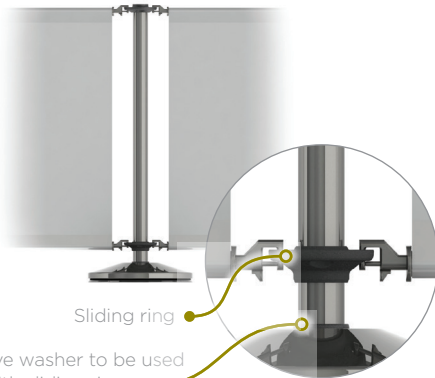


2

Choose your Lower Tethering Method

Double cross-rail option

Provides strength, tautness and Disability Discrimination Act (DDA) compliance



Sliding ring

Protective washer to be used with sliding ring

OR

Single cross-rail and lower bungee option

Select the bungee pole connector and bungees instead of a second cross rail

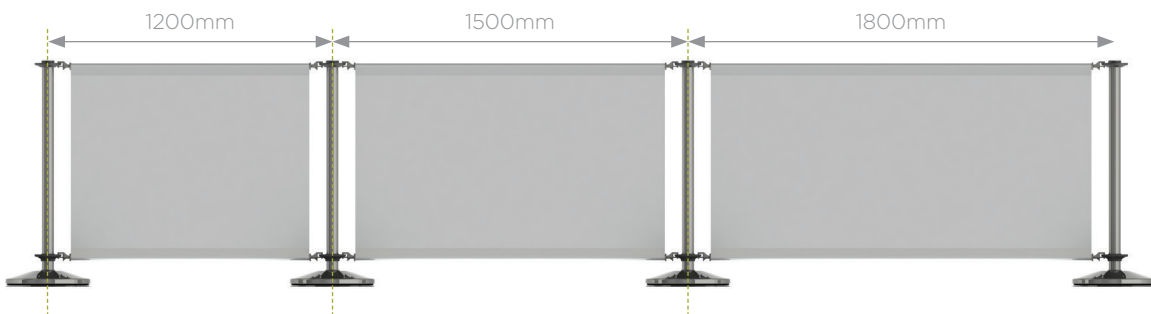


Bungee

Bungee connector

3

Choose your Banner Width



individually select the elements to create your perfect Café Barrier - all with market-leading features and benefits.

4

Choose your Banner Material

Choose from a wide selection of printed banners available in a choice of materials - all suitable for outdoor use!

Standard PVC



Reinforced and totally opaque, this is perfect for single or double-sided print, long outdoor life and vibrant colour reproduction.

The easy wipe-clean surface makes it ideal for front-of-house food and drink environments.

Black Back Canvas



This close-weave 100% polyester fabric has all the appearance, weight and feel of a traditional canvas yet, unlike cotton based canvases, it is cost effective and will not rot or stain.

Available full colour and suitable for single or double sided print.

Display Fabric



A lightweight fabric, suitable for use at short term events, rather than constant long term use.

High quality print, and suitable for single or double sided print.

Airtex or Mesh PVC

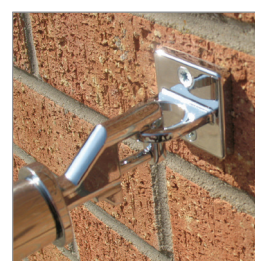


Provides a semi-transparent finish and allows some air to pass through making it ideal for windy locations, subtle branding, and creating a 'style-bar' look.

Full colour print on one side, with reverse show through on the rear.

All of our banners are suitable for outdoor use.

Item	Dimensions (mm)	Weight (kg)
Stainless Steel Pole and Top Ring	Diameter: 113 (Pole Dia. 51mm) Height: 881	1.0
Black Mild Steel Pole and Top Ring	Diameter: 113 (Pole Dia. 51mm) Height: 881	1.5
Stainless Steel Base	Diameter: 360 Height: 66	13.5
Black Base	Diameter: 360 Height: 66	13.5
Cross Rail (width refers to distance between pole centres)	Width: 1200	0.8
	Width: 1500	1.1
	Width: 1800	1.2
Banner	1005 x 838	-
	1305 x 838	-
	1605 x 838	-
Sliding Ring	Diameter: 110 Height: 30	0.3
Bungee Pole Connector	Diameter: 94 Height: 26	0.1
Bungee	Overall length: 100	0.01
Eye Plate (for wall mounting)	40 x 40 x 35 (w x h x d)	0.06



Chrome plated 'Eye Plate' available for wall mounting (for cross rails only)



Use individually or link together for the ultimate brand presence