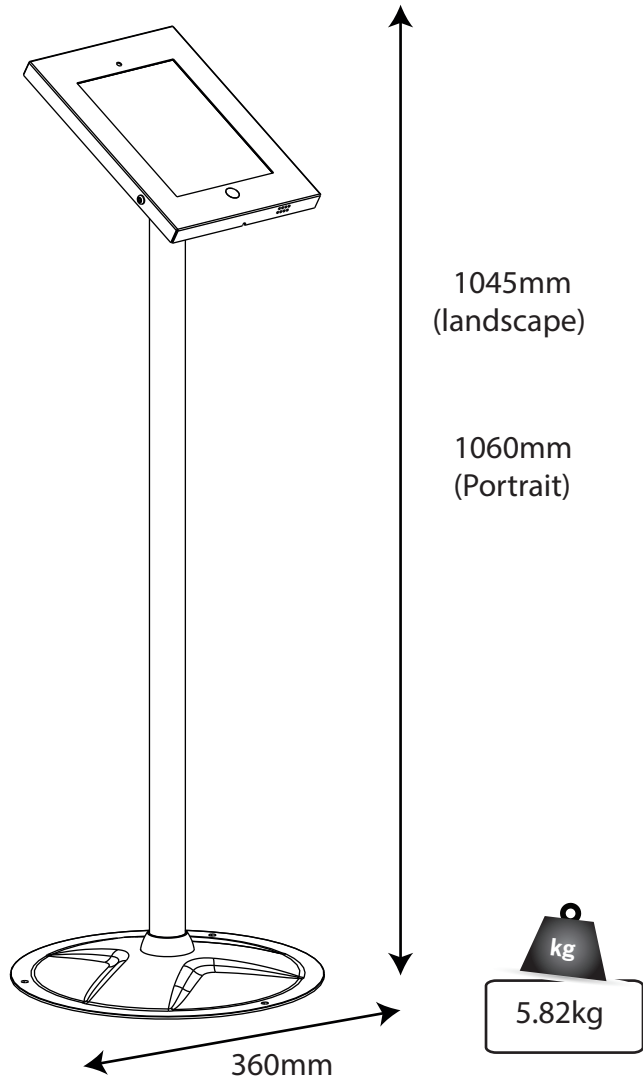


Freestanding Ipad Holder



ITEM	DESCRIPTION/PART NO.	QUANTITY
A	tube	1
B	plastic cover	1
C	washer	1
D	base	1
E	rear cover	1
F	front cover	1

ITEM	DESCRIPTION/PART NO.	QUANTITY
G	M5x8(tamper-proof screw)	4
H	M5x20	3
I	Φ13.5xΦ5.5x3.2	2
J	TORX tool	1
K	ST6.3x55	3
L	Concrete anchor	3
M	Turn-knob	1
N	D5 washer	2

Freestanding Ipad Holder

